



Profit from the Eagle Advantage®

Specification Sheet

Short Form Specifications

Eagle Hand Sink with 8" Centerline Faucet Holes, model #HSA-10-8. Constructed of type 304 stainless steel, all-welded with deep-drawn positive drain sink bowl, inverted "V" edge to prevent spillage and basket drain. Unit less faucet.

Eagle Hand Sink with 8" Centerline Faucet, model #HSA-10-8F. Features the same as hand sink #HSA-10-8, plus splash mounted gooseneck faucet.



#HSA-10-8



#HSA-10-8F

Item No.:	_____
Project No.:	_____
S.I.S. No.:	_____

Hand Sinks with 8" Centerline Faucet Holes

MODELS:

- HSA-10-8
- HSA-10-8F

Design & Construction Features

- Heavy gauge type 304 stainless steel all-welded construction.
- Inverted "V" edge rim retards spillage.
- Unique deep-drawn positive-drain bowl assures complete drainage to meet the most stringent health code requirements.
- Both sinks feature faucet holes centered at 8" (203mm) in place of traditional 4" (102mm) centerline.
- Model #HSA-10-8F includes #313075 splash-mount faucet with gooseneck spout.
- Water inlet: 1/2" (13mm) NPS.
- Drain outlet: 1 1/2" (38mm) NPS.

Options / Accessories

- P-trap
- Tail piece
- End splashes
- Front skirt
- Side mount wall bracket
- MICROGARD® antimicrobial protection

EAGLE GROUP
 100 Industrial Boulevard, Clayton, DE 19938-8903 USA
 Phone: 302-653-3000 • Fax: 302-653-2065
 www.eaglegrp.com

Foodservice Division: Phone 800-441-8440
MHC/Retail Display Divisions: Phone 800-637-5100

For custom configuration or fabrication needs, contact our **SpecFAB® Division**.
 Phone: 302-653-3000 • Fax: 302-653-3091 • e-mail: quotes@eaglegrp.com



AUTOQUOTES



EG20.48 Rev. 03/13

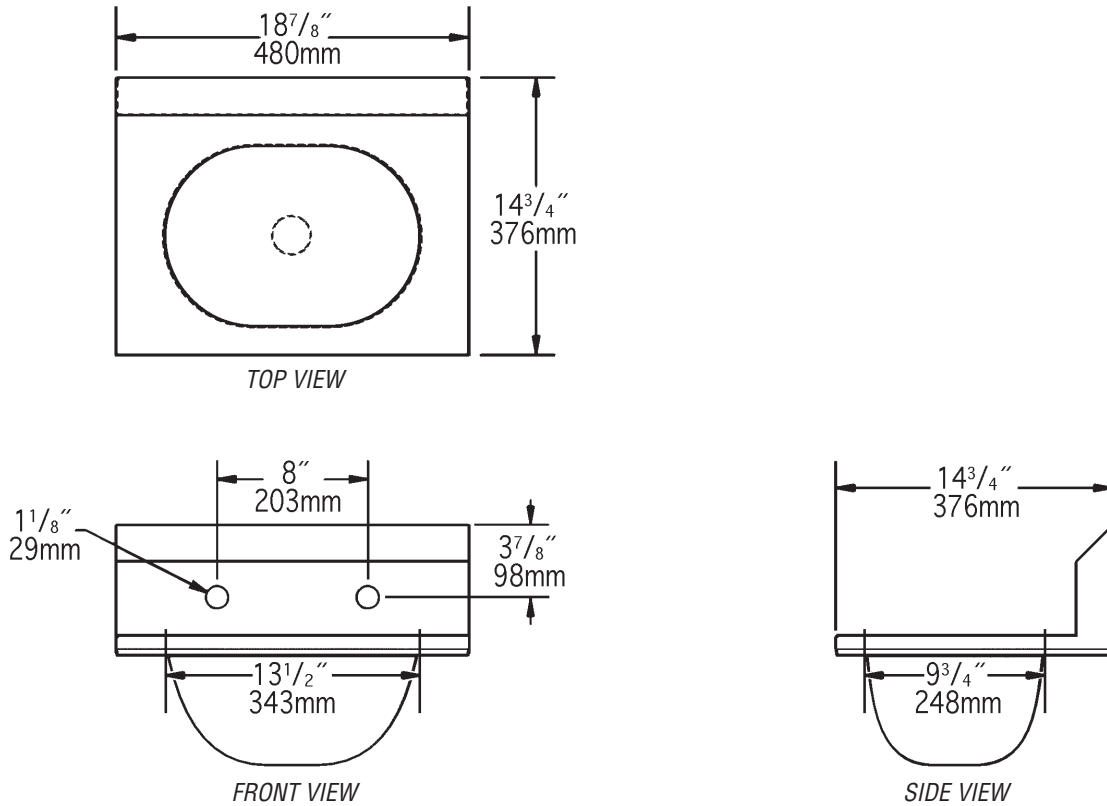
Spec sheets available for viewing, printing or downloading from our online literature library at www.eaglegrp.com

Eagle Foodservice Equipment, Eagle MHC, SpecFAB®, and Retail Display are divisions of Eagle Group. ©2013 by the Eagle Group



Item No.: _____
 Project No.: _____
 S.I.S. No.: _____

Hand Sinks with 8" Centerline Faucet Holes



(Please note: model #HSA-10-8 shown)

model #	includes	bowl size		overall size		weight	
		width in.	length x depth mm	width in.	length x height mm	lbs.	kg
HSA-10-8	8" (203mm) centerline faucet holes, basket drain	9 ³ / ₄ "	13 ¹ / ₂ " x 6 ³ / ₄ " 248 x 343 x 173	14 ³ / ₄ "	18 ⁷ / ₈ " x 12 ³ / ₄ " 376 x 480 x 324	10	4.5
HSA-10-8F	splash-mount faucet on 8" (203mm) center, basket drain	9 ³ / ₄ "	13 ¹ / ₂ " x 6 ³ / ₄ " 248 x 343 x 173	14 ³ / ₄ "	18 ⁷ / ₈ " x 12 ³ / ₄ " 376 x 480 x 324	12	5.4

EAGLE GROUP
 100 Industrial Boulevard, Clayton, DE 19938-8903 USA
 Phone: 302-653-3000 • Fax: 302-653-2065 • www.eaglegrp.com

Foodservice Division: Phone 800-441-8440
 MHC/Retail Display Divisions: Phone 800-637-5100

Printed in U.S.A.
 ©2013 by Eagle Group
 Rev. 03/13

Spec sheets available for viewing, printing or downloading from our online literature library at www.eaglegrp.com

Although every attempt has been made to ensure the accuracy of the information provided, we cannot be held responsible for typographical or printing errors. Information and specifications are subject to change without notice. Please confirm at time of order.