



Profit from the Eagle Advantage®

# Specification Sheet

## Short Form Specifications

Eagle Portable Hand Sink with Stainless Steel Cabinet, model \_\_\_\_\_ . Heavy gauge stainless steel cabinet with double pan hinged stainless steel door and lock. Furnished with deck mount faucet, soap dispenser, paper towel dispenser, trash chute, 115 volt pump, 5-gallon fresh water tank, and 7-gallon waste water tank, GFCI electrical outlet, 10' cord/plug with cord wrap. Units available with 14" x 10" x 5" deep stainless steel sink bowl, three-compartment bowl (each compartment is 11 1/8" x 6 1/8" x 5"), or patented 12 1/2" x 16" removable acrylic water plate (patent #9,790,674).



with stainless steel bowl (shown with door open)

**PATENTED!**  
(U.S. Patent #9,790,674)



with acrylic bowl (paper towels sold separately)

## Options / Accessories

- Stainless steel towel dispenser
- Electronic-eye faucet
- Perimeter bumper
- Extra 5-gallon fresh tank
- Extra 7-gallon soiled tank
- Etching in Acrylic Water Plate (custom option)

**EAGLE GROUP**  
100 Industrial Boulevard, Clayton, DE 19938-8903 USA  
Phone: 302-653-3000 • Fax: 302-653-2065  
www.eaglegrp.com • www.eaglegrp.com

**Foodservice Division: Phone 800-441-8440**  
**MHC Division: Phone 800-637-5100**

For custom configuration or fabrication needs, contact our **SpecFAB® Division**.  
Phone: 302-653-3000 • Fax: 302-653-2065 • e-mail: quotes@eaglegrp.com

Item No.: \_\_\_\_\_  
 Project No.: \_\_\_\_\_  
 S.I.S. No.: \_\_\_\_\_

# Portable Hand Sinks with Stainless Steel Cabinet

## MODELS:

- PHS-A-C
- PHS-A-H
- PHS-S-C
- PHS-S-H
- PHS-S3-C
- PHS-S3-H

## Features

- Available with hot and cold water which includes a hot water heater, or just cold water.
- Stainless steel cabinet body with locking door.
- Deck mount faucet with 8" (203mm) spout and 1/4-turn handles.
- Standard towel rack accommodates standard household paper towels.
- Deck mount soap dispenser.
- 4" (102mm) swivel casters (two with brake) with non-marking tread—weight capacity of 150 lbs. (68.0 kg) per caster.
- 5-gallon fresh water tank.
- 7-gallon soiled water tank.
- Box marine edge top.

## Bowls

- Single stainless steel bowl is 14" x 10" x 5" (356 x 254 x 127mm) deep.
- Three-compartment bowl is 21" x 13" x 5" (533 x 330 x 127mm). Each compartment is 11 1/8" x 6 1/8" x 5" (295 x 156 x 127mm).
- Patented removable acrylic water plate (patent #9,790,674) is 12 1/2" x 16" (318 x 406mm) and drains into a stainless steel trough.



**Spec sheets available for viewing, printing or downloading from our online literature library at [www.eaglegrp.com](http://www.eaglegrp.com)**



Profit from the Eagle Advantage®

## Eagle Portable Sinks with Stainless Steel Cabinet

Overall dimensions of all units are 24" width, 26" length, and 44½" height. 4" swivel casters—two with brake—with 150 lb. weight capacity per caster.

### Sinks with Stainless Steel Bowl...

#### ...with Cold Water Only

| sink width | sink length | sink depth | weight * |      | model # |         |
|------------|-------------|------------|----------|------|---------|---------|
| in.        | mm          | in.        | mm       | lbs. | kg      |         |
| 14"        | 356         | 10"        | 256      | 232  | 105.2   | PHS-S-C |

#### ...with Hot & Cold Water\*\*

| sink width | sink length | sink depth | weight * |      | model # |         |
|------------|-------------|------------|----------|------|---------|---------|
| in.        | mm          | in.        | mm       | lbs. | kg      |         |
| 14"        | 356         | 10"        | 256      | 204  | 95.2    | PHS-S-H |

### Sinks with Three-Compartment Bowl...

#### ...with Cold Water Only

| sink width | sink length | sink depth | weight * |      | model # |          |
|------------|-------------|------------|----------|------|---------|----------|
| in.        | mm          | in.        | mm       | lbs. | kg      |          |
| 11½"       | 295         | 6½"        | 156      | 232  | 105.2   | PHS-S3-C |

#### ...with Hot & Cold Water\*\*

| sink width | sink length | sink depth | weight * |      | model # |          |
|------------|-------------|------------|----------|------|---------|----------|
| in.        | mm          | in.        | mm       | lbs. | kg      |          |
| 11½"       | 295         | 6½"        | 156      | 251  | 113.9   | PHS-S3-H |

### Sinks with Removable Acrylic Water Plate ▽

#### ...with Cold Water Only

| plate width | plate length | weight * |       | model # |
|-------------|--------------|----------|-------|---------|
| in.         | mm           | lbs.     | kg    |         |
| 12½"        | 318          | 232      | 105.2 | PHS-A-C |

#### ...with Hot & Cold Water\*\*

| plate width | plate length | weight * |       | model # |
|-------------|--------------|----------|-------|---------|
| in.         | mm           | lbs.     | kg    |         |
| 12½"        | 318          | 251      | 113.9 | PHS-A-H |

\* Weights reflect empty water tanks.

\*\* Hot water heater plugs into a standard 110 outlet. Features a glass lined tank for longer life and a temperature/pressure relief valve.

▽ Features removable polycarbonate water plate which drains into a stainless steel trough, and deck-mount faucet.

#### ▽ Optional Cutting Board for Sinks with Water Plate

Remove the water plate first, then simply lay the cutting board across the top of the unit.

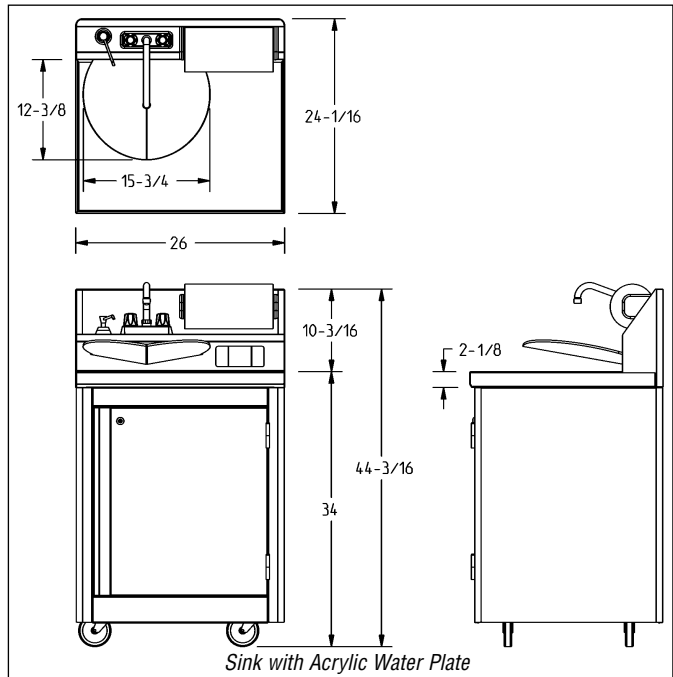
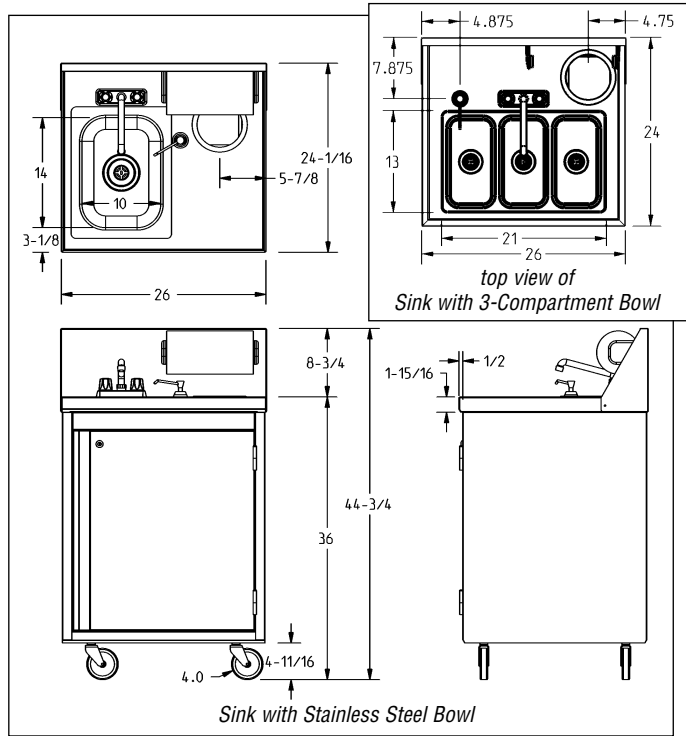
model # 376509



#### Regarding optional Electronic-Eye Faucets used on Sinks with Water Plate...

When the plate is removed (typically for using the optional cutting board), the faucet automatically remains off. This acts as a safety feature to prevent the faucet from being activated while doing prep work. To order Electronic-Eye Faucet, add suffix "-FE" (example: PHS-A-H-FE)

Item No.: \_\_\_\_\_  
 Project No.: \_\_\_\_\_  
 S.I.S. No.: \_\_\_\_\_



### EAGLE GROUP

100 Industrial Boulevard, Clayton, DE 19938-8903 USA

Phone: 302-653-3000 • Fax: 302-653-2065 • www.eaglegrp.com • www.eaglehmc.com

Foodservice Division: Phone 800-441-8440

MHC Division: Phone 800-637-5100

Printed in U.S.A.  
 ©2020 by Eagle Group

Rev. 03/20

Spec sheets available for viewing, printing or downloading from our online literature library at [www.eaglegrp.com](http://www.eaglegrp.com)

Although every attempt has been made to ensure the accuracy of the information provided, we cannot be held responsible for typographical or printing errors. Information and specifications are subject to change without notice. Please confirm at time of order.