

# Snap-n-Slide® Wall Shelves with Ticket Rail

## ASSEMBLY INSTRUCTIONS

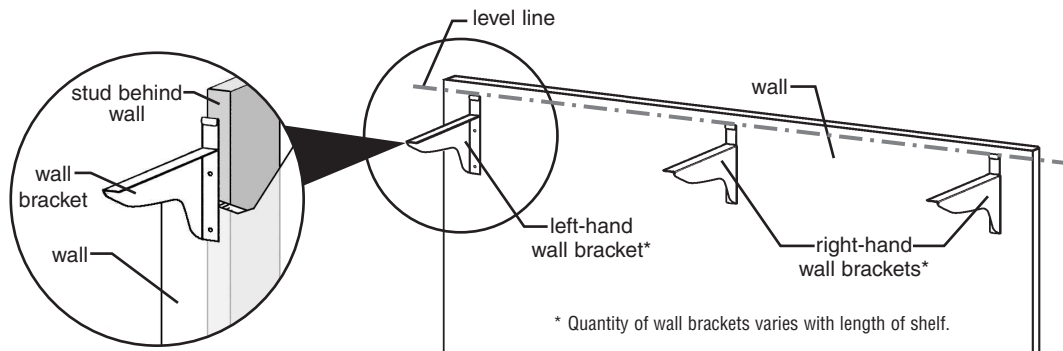
### CAUTION

INSPECT CONTENTS IMMEDIATELY AND FILE CLAIM WITH DELIVERING CARRIER FOR ANY DAMAGE.  
**SAVE YOUR BOX AND ALL PACKING MATERIALS.**

YOU ARE RESPONSIBLE FOR DAMAGE TO YOUR UNIT IF RETURNED IMPROPERLY PACKED.

### Step 1 - Mount brackets in relation to studs behind wall.

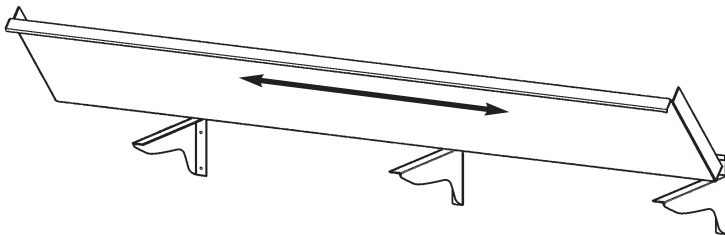
Brackets must be vertically level with each other. Using a laser level is highly recommended.



### CAUTION:

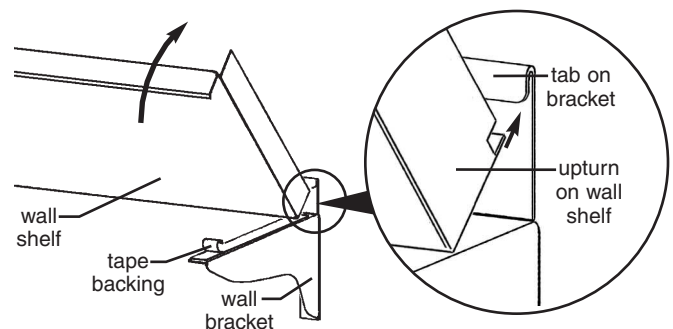
- Wall brackets must be mounted in relation to studs behind wall.
- Wall brackets must be fastened securely prior to mounting shelf.
- Eagle Group cannot be held responsible for the failure to use the appropriate secure mounting method.

### Step 2 - Slide the wall shelf into desired placement.



In order for proper bonding of the tape adhesive, ensure the bottom of the shelf is free of dirt, oil and other contaminants prior to installation.

### Step 3 - Hold shelf in place and peel off tape backing.



Rear upturn of wall shelf hooks under tab of each bracket.

(continued on back page)

EG10089 Revised 04/08



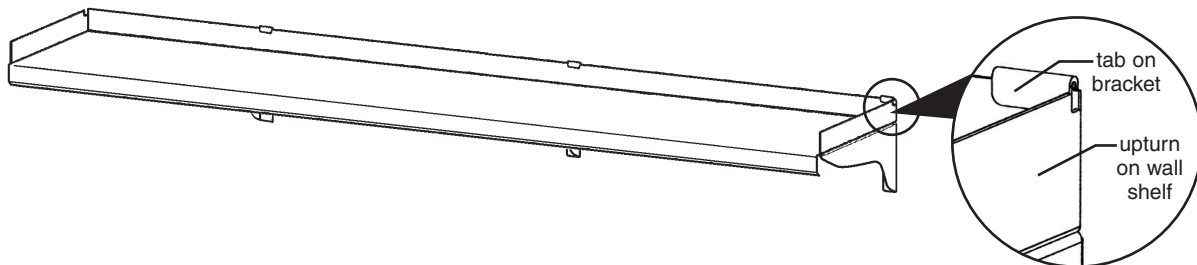
• 100 Industrial Boulevard, Clayton, Delaware 19938-9905 U.S.A. • [www.eaglegrp.com](http://www.eaglegrp.com)  
• Phone: 302/653-3000 • (Foodservice) 800/441-8440 • (MHC/Retail) 800/637-5100  
• Fax: 302/653-2065

Eagle Foodservice Equipment, Eagle MHC, SpecFAB, and Retail Display are divisions of Eagle Group. ©2008 by the Eagle Group

# Snap-n-Slide® Wall Shelves with Ticket Rail

## ASSEMBLY INSTRUCTIONS

**Step 4 - Lower shelf and press firmly over brackets to lock into place.**

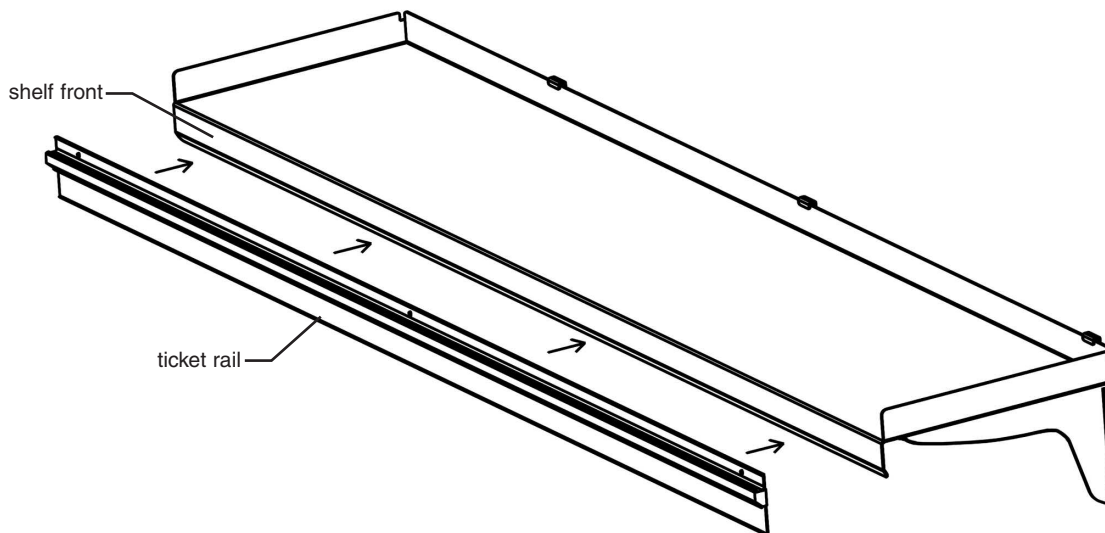


### CAUTION:

- A secure means of fastening the wall brackets prior to mounting shelf must be utilized.
- Eagle Group will not be held responsible for wall brackets pulling away from the wall.

**Step 5 - Attach ticket rail to front of shelf.**

- Clean flat surface of shelf front with enclosed alcohol pad and allow to dry.
- On rear side of ticket rail, peel off tape backing.
- Align and firmly press ticket rail onto flat surface of shelf front.



Assembly in complete.

(End)