

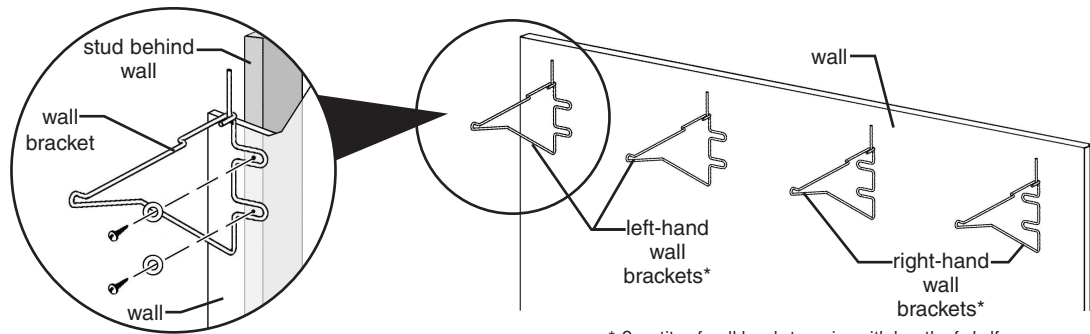
**ASSEMBLY INSTRUCTIONS****CAUTION**

INSPECT CONTENTS IMMEDIATELY AND FILE CLAIM WITH DELIVERING CARRIER FOR ANY DAMAGE.  
**SAVE YOUR BOX AND ALL PACKING MATERIALS.**  
 YOU ARE RESPONSIBLE FOR DAMAGE TO YOUR UNIT IF RETURNED IMPROPERLY PACKED.

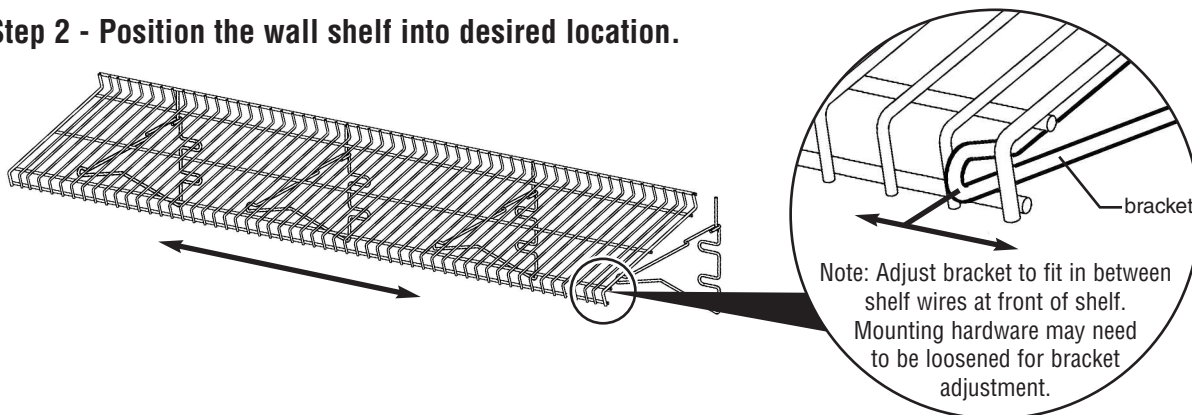
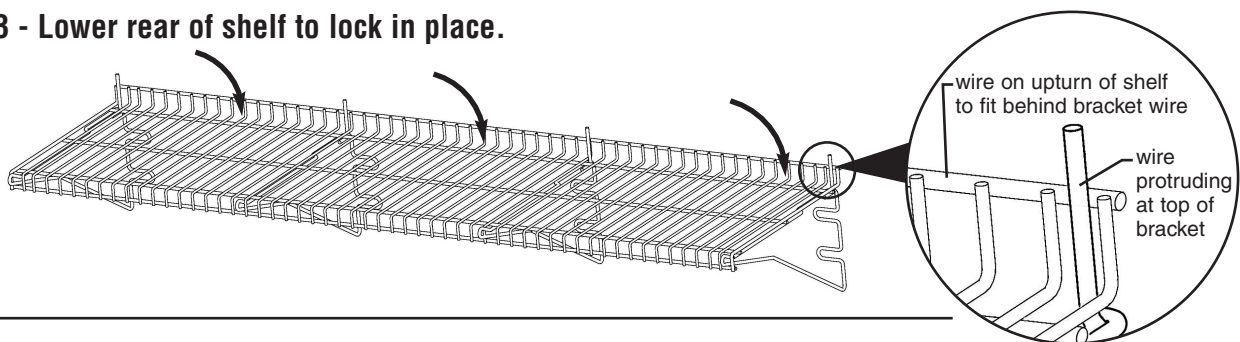
\*\*\* Please note: Hardware not included. \*\*\*

**Step 1 - Mount brackets in relation to studs behind wall using bolts and washers—do not tighten hardware!**

Note: Bracket loops must face toward center. Mounting hardware not included.



\* Quantity of wall brackets varies with length of shelf.

**Step 2 - Position the wall shelf into desired location.****Step 3 - Lower rear of shelf to lock in place.****Step 4 - Tighten all hardware.**

Note: Wall mounted units must be attached to a properly constructed and sound wall. For walls constructed of wood or steel studs, the mounting points must be directly on the stud or suitable in-wall-grounds of plywood or sheet metal. Eagle Group cannot be held responsible for the failure of the device or any other devices due to improper installation.