

Top Mounting Plate

ASSEMBLY INSTRUCTIONS

CAUTION

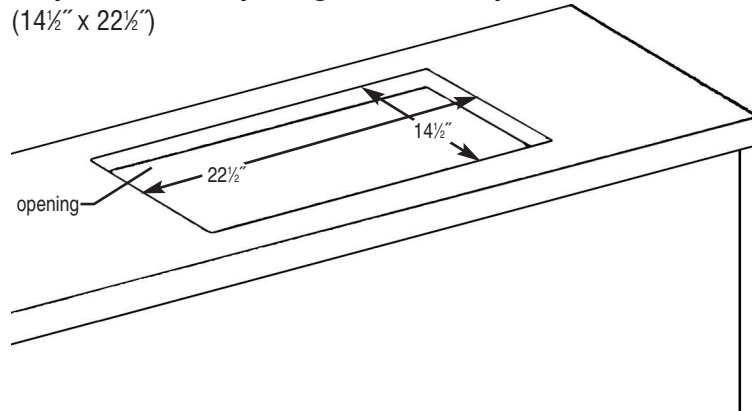
INSPECT CONTENTS IMMEDIATELY AND FILE CLAIM WITH DELIVERING CARRIER FOR ANY DAMAGE.

SAVE YOUR BOX AND ALL PACKING MATERIALS.

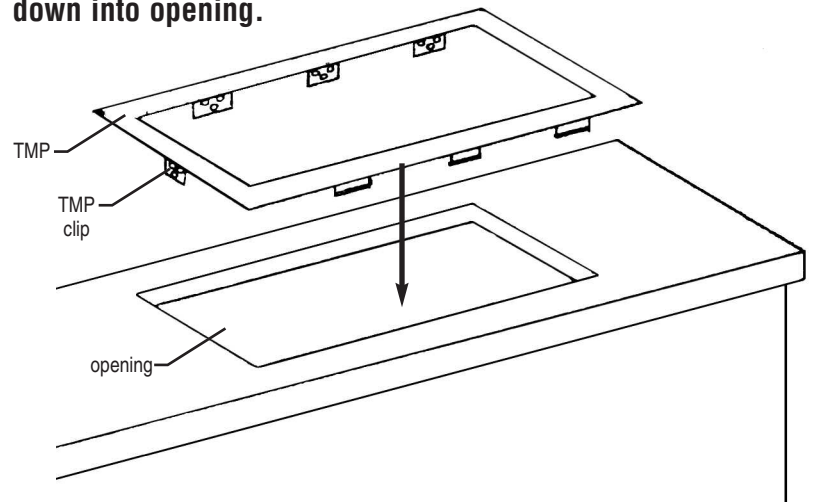
YOU ARE RESPONSIBLE FOR DAMAGE TO YOUR UNIT IF RETURNED IMPROPERLY PACKED.

Step 1 - Cut out opening in countertop.

(14½" x 22½")



Step 2 - Install top mounting plate (TMP) clips down into opening.



(continued on back page) 

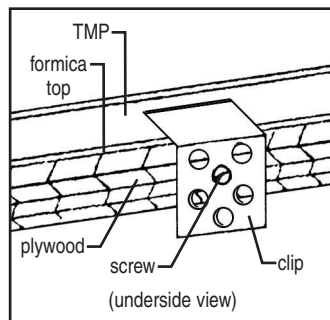
EG10052 Revised 05/07

Top Mounting Plate

ASSEMBLY INSTRUCTIONS

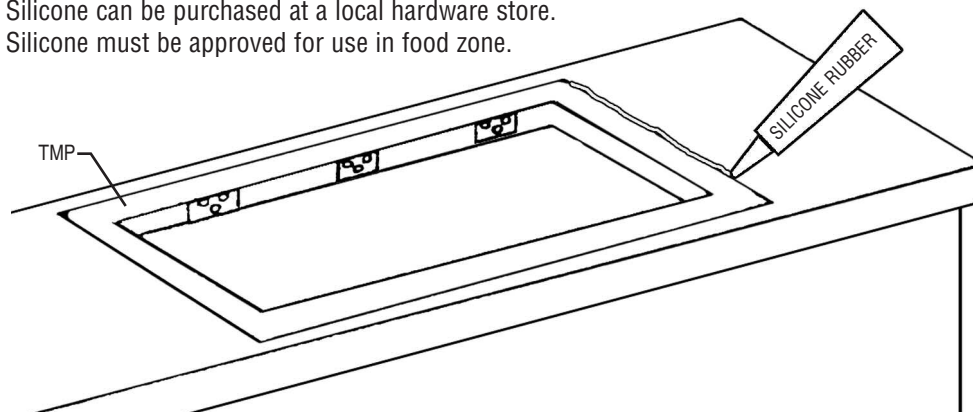
Step 3 - Fasten TMP into place.

Insert screws through clips, and tighten screws into plywood.



Step 4 - Apply a bead of silicone rubber where TMP edge meets formica top.

- With clean cloth, wipe off excess silicone before it cures.
- Silicone can be purchased at a local hardware store.
- Silicone must be approved for use in food zone.



Step 5 - Mount 1220 unit into TMP according to instructions.

(End)