

Front Case Merchandise Shelving with Cantilever Overshelf

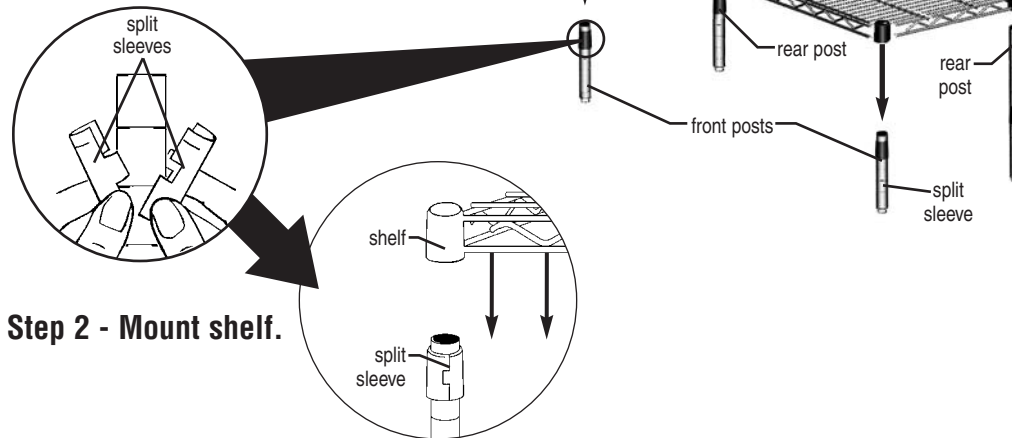
ASSEMBLY INSTRUCTIONS

CAUTION

INSPECT CONTENTS IMMEDIATELY AND FILE CLAIM WITH DELIVERING CARRIER FOR ANY DAMAGE.
SAVE YOUR BOX AND ALL PACKING MATERIALS.
YOU ARE RESPONSIBLE FOR DAMAGE TO YOUR UNIT IF RETURNED IMPROPERLY PACKED.

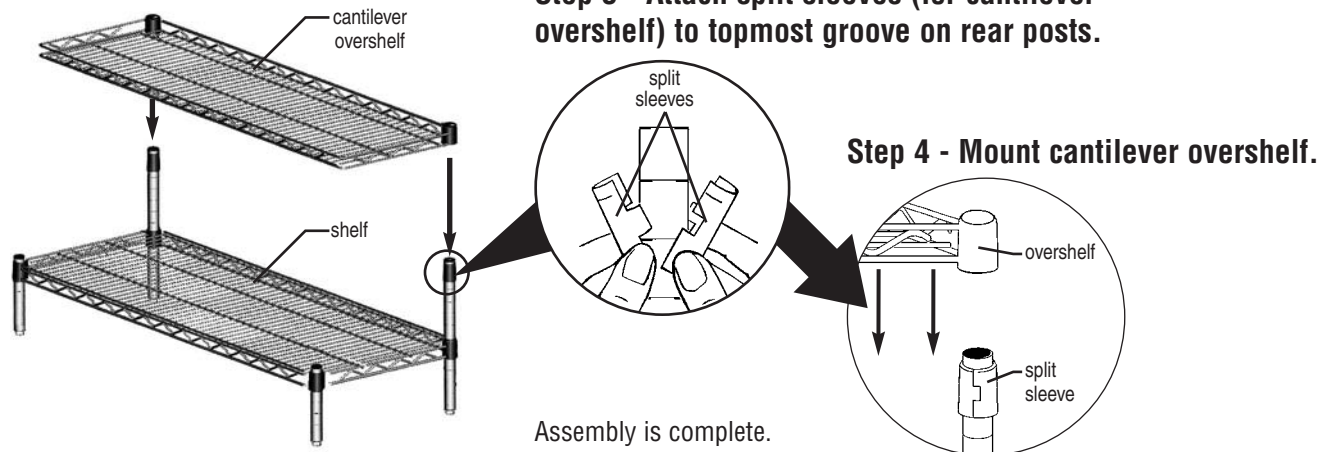
Step 1 - Attach split sleeves (for shelf) to topmost groove on front posts and to #7 groove on rear posts.

- The wider part of the taper goes toward the bottom.
- Make sure rib on split sleeve is seated into a groove on the post.



Step 2 - Mount shelf.

Step 3 - Attach split sleeves (for cantilever overshelf) to topmost groove on rear posts.



Step 4 - Mount cantilever overshelf.

Assembly is complete.



LOADING CRITERIA



- Place heaviest items on bottom shelf.
- Load bottom shelf first.
- Cantilever shelf NOT to exceed 15 lbs. per square foot.

Failure to follow this criteria can result in property damage or personal injury.

(End)

Front Case Merchandise Shelving with Standard Shelves

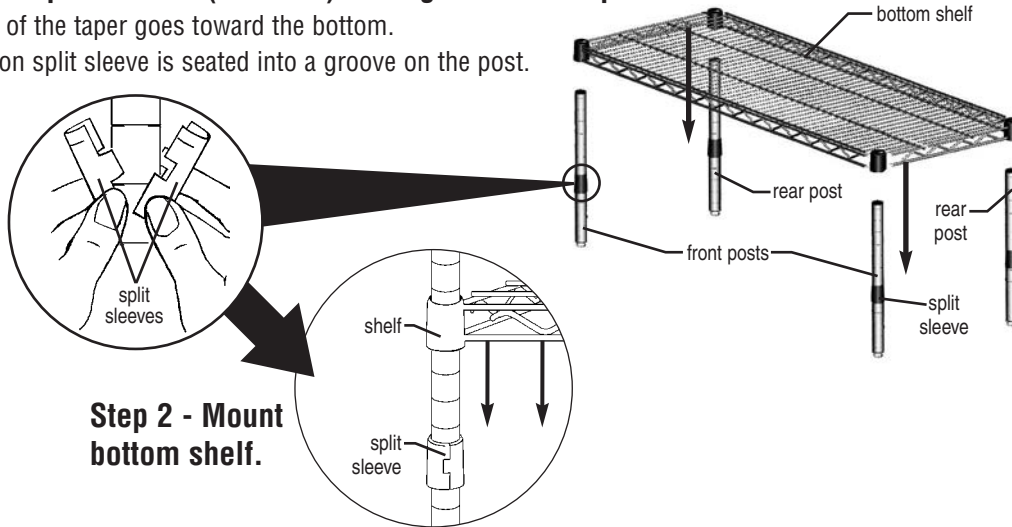
ASSEMBLY INSTRUCTIONS

CAUTION

INSPECT CONTENTS IMMEDIATELY AND FILE CLAIM WITH DELIVERING CARRIER FOR ANY DAMAGE.
SAVE YOUR BOX AND ALL PACKING MATERIALS.
YOU ARE RESPONSIBLE FOR DAMAGE TO YOUR UNIT IF RETURNED IMPROPERLY PACKED.

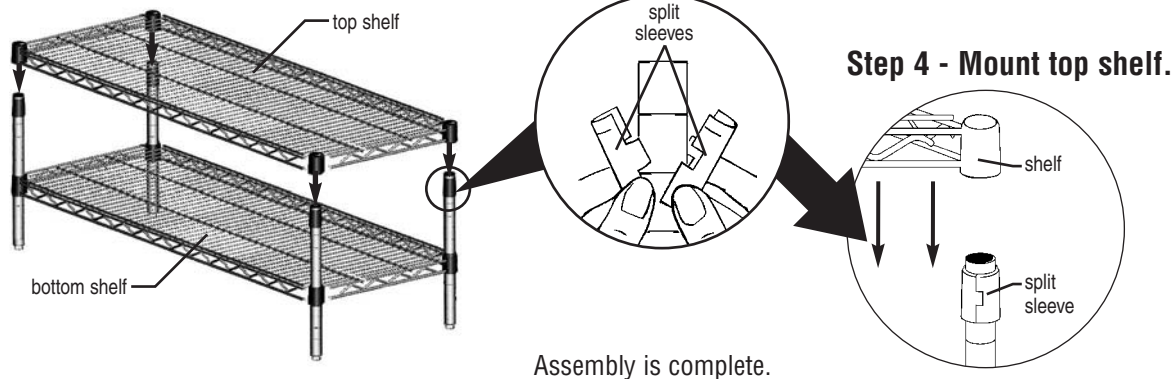
Step 1 - Attach split sleeves (for shelf) to #7 groove on all posts.

- The wider part of the taper goes toward the bottom.
- Make sure rib on split sleeve is seated into a groove on the post.



Step 2 - Mount bottom shelf.

Step 3 - Attach split sleeves (for overshelf) to topmost groove on rear posts.



Assembly is complete.

LOADING CRITERIA

- Place heaviest items on bottom shelf.
- Load bottom shelf first.
- Weight capacity NOT to exceed 800 lbs. for shelves up to 48" long, 600 lbs. for shelves 54" and longer.

Failure to follow this criteria can result in property damage or personal injury.

(End)