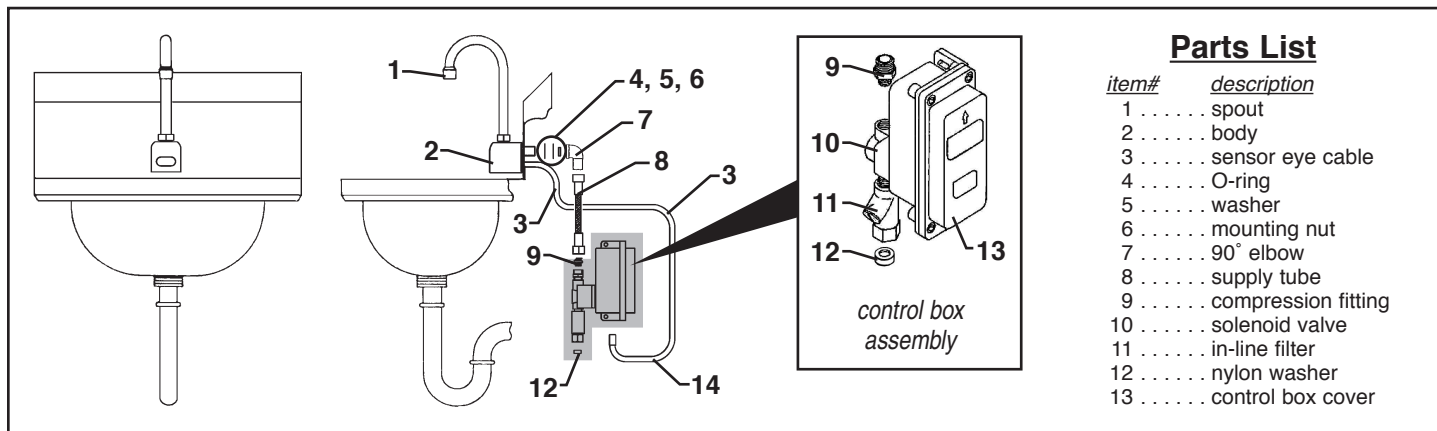


ASSEMBLY INSTRUCTIONS

CAUTION

INSPECT CONTENTS IMMEDIATELY AND FILE CLAIM WITH DELIVERING CARRIER FOR ANY DAMAGE. **SAVE YOUR BOX AND ALL PACKING MATERIALS.** YOU ARE RESPONSIBLE FOR DAMAGE TO YOUR UNIT IF RETURNED IMPROPERLY PACKED.



Parts List

| item# | description |
|-------|---------------------|
| 1 | spout |
| 2 | body |
| 3 | sensor eye cable |
| 4 | O-ring |
| 5 | washer |
| 6 | mounting nut |
| 7 | 90° elbow |
| 8 | supply tube |
| 9 | compression fitting |
| 10 | solenoid valve |
| 11 | in-line filter |
| 12 | nylon washer |
| 13 | control box cover |

Step 1 - Mount spout and body to sink.

- Attach spout (Item #1) onto body (Item #2).
- Run sensor eye cable (Item #3) through backsplash of sink.
- Attach and tighten faucet to sink using O-ring, washer, and mounting nut (Items #4, 5, and 6).

Step 2 - Connect elbow and supply tube.

USE OF TEFLON TAPE IS RECOMMENDED. DO NOT USE LIQUID OR PASTE THREAD SEALANT ("PIPE DOPE").

- Attach elbow (Item #7) to threaded stem of body (Item #2). Attach one end of supply tube (Item #8) to elbow.
- Attach compression fitting (item #9) to solenoid valve (item #10).
- Connect remaining end of supply tube (Item #8) to compression fitting.

Step 3 - Connect water supply to in-line filter on control box assembly.

USE OF TEFLON TAPE IS RECOMMENDED. DO NOT USE LIQUID OR PASTE THREAD SEALANT ("PIPE DOPE").

- Seat nylon washer (item #12) inside in-line filter (item #11), and connect 3/8" I.P.S. water supply. To pre-mix hot & cold water supply, use mixing valve supplied (not pictured in Parts List above).

Step 4 - Connect wiring.

- On control box assembly, remove control box cover (Item #13). Pull out PC board and battery holder for easier access to connections.
- Plug sensor eye cable (Item #3) into matching connection on PC board.
- Install batteries in battery holder and plug battery holder connector into matching connection on PC board.
- Push RESET on PC board. Test faucet by placing hand in front of faucet sensor eye. If there is a clicking sound, the faucet is working.
- Reinstall cover. Make sure screws are tight to insure water resistance.
- Mount control box assembly to wall near sink, making sure the arrows are pointing toward spout.

Step 5 - Turn on water supply and check for leaks.

IF THERE IS A LEAK, UNPLUG POWER ADAPTER FROM THE WALL BEFORE TENDING TO LEAK. After leak is fixed, RESET will have to be pushed again.

Note: Throttle down the water pressure from the hot and cold shutoff valves of water supply for a smooth flow of water.

Step 6 - Adjust faucet sensor.

- Place hands in front of sensor eye to turn on water. Remove hands to stop water.
- For minor adjustments, refer to instructions located inside control box cover (Item #13).
- To adjust range of time delay and auto shutoff, refer to chart at right. The SW6 and SW7 stay in "ON" position. SW8 stays in "OFF" position.

| SW1 | SW2 | SW3 | Time Delay | SW4 | SW5 | Auto Shut-Off |
|-----|-----|-----|------------|-----|-----|---------------|
| ON | ON | ON | *1 SEC | ON | ON | 0 SEC |
| ON | ON | OFF | 2 SEC | ON | OFF | 15 SEC |
| ON | OFF | OFF | 3 SEC | OFF | ON | *30 SEC |
| OFF | OFF | OFF | 4 SEC | OFF | OFF | 60 SEC |

* Factory Setting

EG10017 Rev 10/12



• 100 Industrial Boulevard, Clayton, Delaware 19938-8903 U.S.A. • www.eaglegrp.com
 • Phone: 302/653-3000 • (Foodservice) 800/441-8440 • (MHC/Retail) 800/637-5100
 • Fax: 302/653-2065

Electronic Hand Sink with Battery-Powered Faucet

TROUBLE SHOOTING GUIDE

| PROBLEM | POSSIBLE CAUSE | TO DIAGNOSE | REMEDY |
|-------------------------------------|---------------------------------------------------------------------------------|------------------------------------------------------------------------------------------------|------------------------------------------------------------------------------|
| FAUCET WILL NOT TURN ON | Water not on | Check water supply. | Turn on water supply. |
| | Power supply failure | Check batteries, polarity of battery & connections. | Replace batteries, reconnect. Push RESET. |
| | Batteries are weak | Red indicator light flashes, no click. | Replace batteries and push RESET. |
| | Sensor distance is too short. | Use hand/palm to find focal point. | Adjust sensor distance (turn SDA clockwise), push RESET. |
| | Electronic PC board is defective. | Change batteries or Reset the unit, no light or action. | Replace PC board. |
| | Sensor eyes are defective. | Reinsert batteries and place hands in front of sensor eyes, red light on faucet doesn't blink. | Replace sensor eyes and cable. Push RESET. |
| | Solenoid valve is clogged. | Solenoid is clicking but no water. | Clean solenoid. Blow free all bleed holes. Replace control disc. Push RESET. |
| | In-Line filter is clogged. | Open clean-out trap and check filter. | Clean or replace the filter. |
| Solenoid coil is defective. | Insert new batteries or reset the unit, light blinks normally, but no clicking. | Replace solenoid coil. Push RESET. | |

FAUCET
WILL
NOT
SHUT
OFF

Solenoid valve is normally closed. Turn off water and activate the faucet. If there is a clicking sound, then the solenoid is dirty. If there is no clicking sound, then replace solenoid valve. Other factors could be: Sensor distance is too long (adjust SDA counterclockwise); Electronic PC board is defective; If faucet is dripping, then the solenoid valve is dirty. Follow same procedures as above for remedies.



- 100 Industrial Boulevard, Clayton, Delaware 19938-8903 U.S.A. • www.eaglegrp.com
- Phone: 302/653-3000 • (Foodservice) 800/441-8440 • (MHC/Retail) 800/637-5100
- Fax: 302/653-2065