

Drop-In Ice Chests

ASSEMBLY INSTRUCTIONS

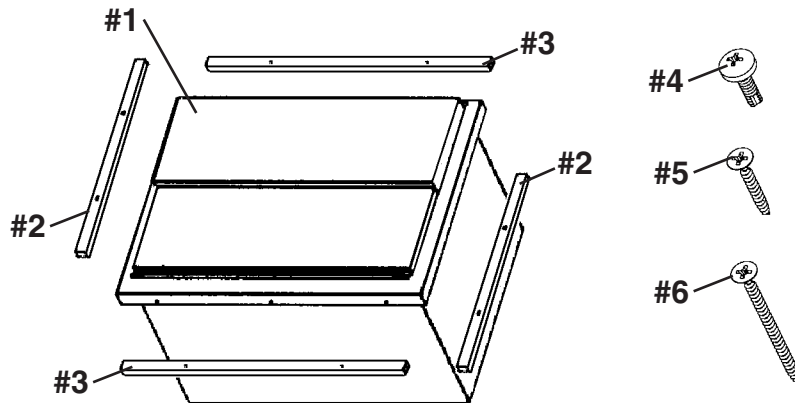
CAUTION

INSPECT CONTENTS IMMEDIATELY AND FILE CLAIM WITH DELIVERING CARRIER FOR ANY DAMAGE.

SAVE YOUR BOX AND ALL PACKING MATERIALS.

YOU ARE RESPONSIBLE FOR DAMAGE TO YOUR UNIT IF RETURNED IMPROPERLY PACKED.

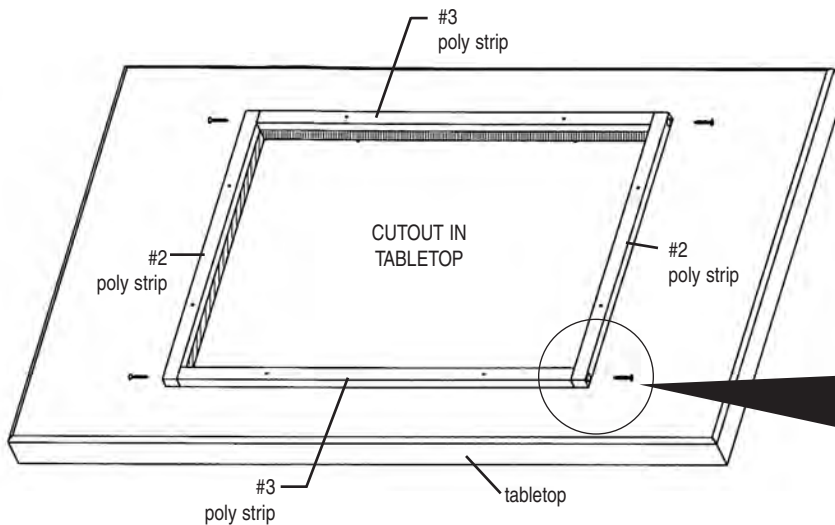
Parts List



#	qty	part #	description
#1	1	*	drop-in ice chest
#2	2	321665	poly strip
#3	2	321669	poly strip
#4	10	341488	drive screws
#5	4	002196	1" wood screw
#6	8	002199	2" wood screw

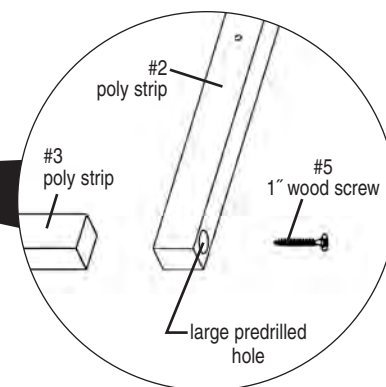
* Part number varies per order.

Step 1 - Position poly strips around the cutout.



Step 2 - Attach poly strips to create a poly strip frame.

Using a drill or screwdriver, drive the 1" wood screws (#5) through the four large holes and the ends of the adjoining poly strips.



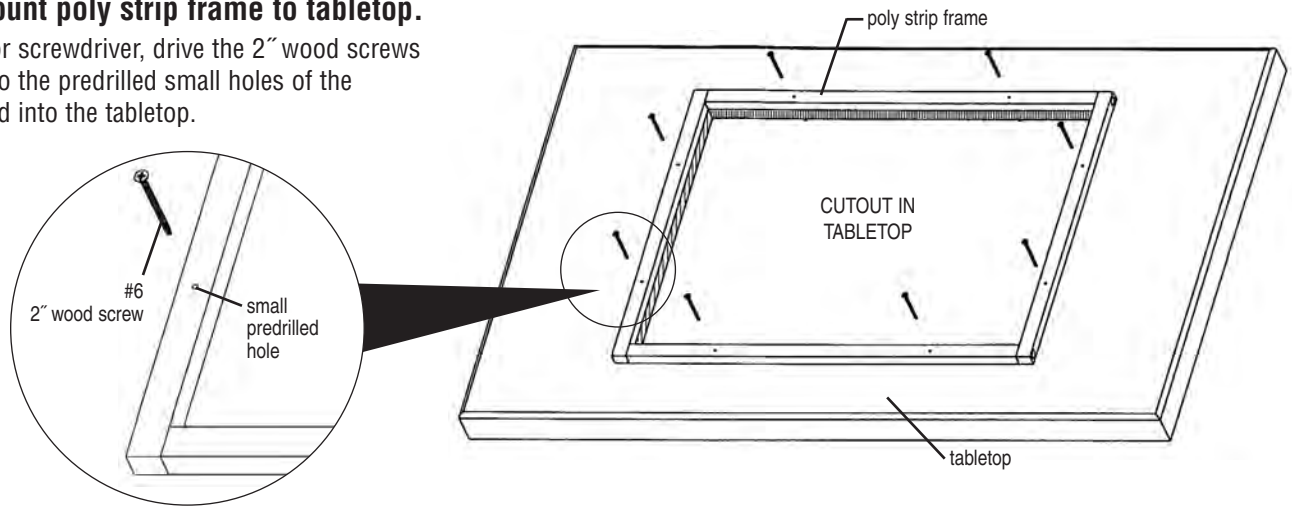
(continued on back page)

Drop-In Ice Chests

ASSEMBLY INSTRUCTIONS

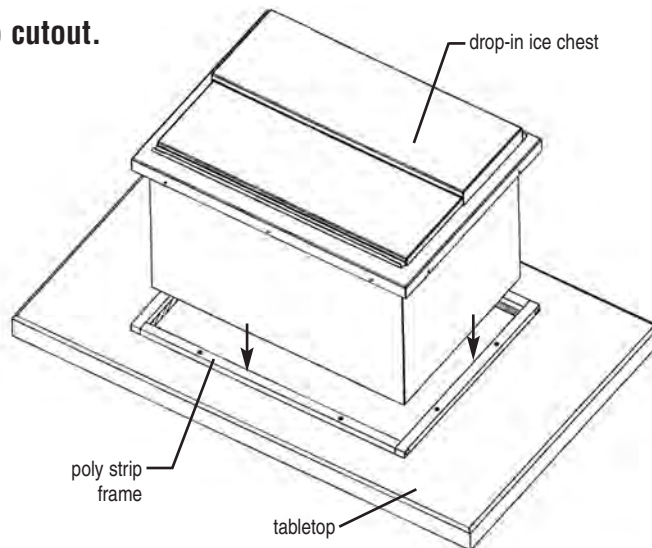
Step 3 - Mount poly strip frame to tabletop.

Using a drill or screwdriver, drive the 2" wood screws (#6) down into the predrilled small holes of the poly strips and into the tabletop.



Step 4 - Lower drop-in ice chest into cutout.

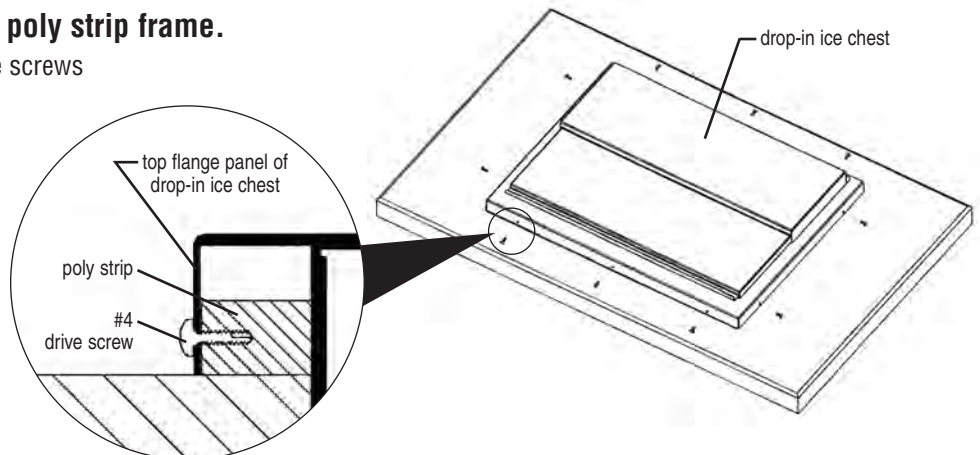
Top panel flanges of the drop-in ice chest should cover the poly strip frame on all four sides.



Step 5 - Mount drop-in ice chest to poly strip frame.

Using a drill or screwdriver, screw the drive screws (#4) into the prepunched holes of the top panel flanges and into the poly strips.

Note: Install all 10 drive screws to insure that the unit is secure.



(End)