

Wall Shelves

ASSEMBLY INSTRUCTIONS

For Wall Shelves with Pot Rack, see reverse side.

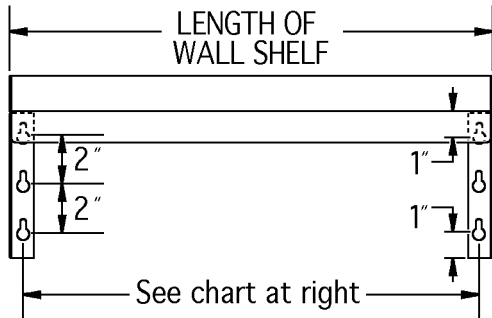
CAUTION

INSPECT CONTENTS IMMEDIATELY AND FILE CLAIM WITH DELIVERING CARRIER FOR ANY DAMAGE.

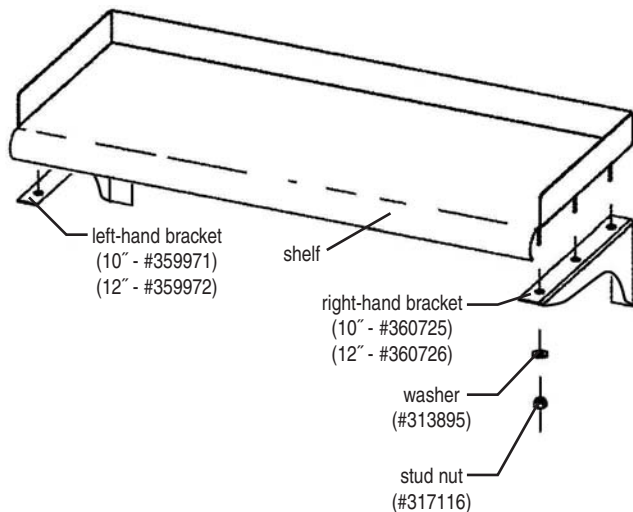
SAVE YOUR BOX AND ALL PACKING MATERIALS.

YOU ARE RESPONSIBLE FOR DAMAGE TO YOUR UNIT IF RETURNED IMPROPERLY PACKED.

Centerline Locations



# of brackets	length of wall shelf	1st centerline	2nd centerline	3rd centerline	4th centerline	5th centerline
2	24"	22 ¹⁵ / ₁₆ "	n/a	n/a	n/a	n/a
	36"	34 ¹⁵ / ₁₆ "	n/a	n/a	n/a	n/a
3	48"	23 ⁷ / ₁₆ "	23 ⁷ / ₁₆ "	n/a	n/a	n/a
	60"	29 ⁷ / ₁₆ "	29 ⁷ / ₁₆ "	n/a	n/a	n/a
4	72"	23 ³ / ₁₆ "	23 ³ / ₁₆ "	23 ³ / ₁₆ "	n/a	n/a
	84"	27 ⁵ / ₁₆ "	27 ⁵ / ₁₆ "	27 ⁵ / ₁₆ "	n/a	n/a
5	96"	23 ¹ / ₄ "	23 ¹ / ₄ "	23 ¹ / ₄ "	23 ¹ / ₄ "	n/a
	102"	25 ¹ / ₄ "	25 ¹ / ₄ "	25 ¹ / ₄ "	25 ¹ / ₄ "	n/a
6	108"	21 ³ / ₈ "	21 ³ / ₈ "	21 ³ / ₈ "	21 ³ / ₈ "	21 ³ / ₈ "
	120"	23 ¹³ / ₁₆ "	23 ¹³ / ₁₆ "	23 ¹³ / ₁₆ "	23 ¹³ / ₁₆ "	23 ¹³ / ₁₆ "
	132"	26 ³ / ₁₆ "	26 ³ / ₁₆ "	26 ³ / ₁₆ "	26 ³ / ₁₆ "	26 ³ / ₁₆ "
	144"	28 ¹ / ₁₆ "	28 ¹ / ₁₆ "	28 ¹ / ₁₆ "	28 ¹ / ₁₆ "	28 ¹ / ₁₆ "



Step 1

Remove the stud nuts found on the bottom of the shelf.

Step 2

Lay shelf on brackets and replace the stud nut.

Step 3

Mount to wall using "Centerline Locations" chart above.



Wall Shelves with Pot Rack

ASSEMBLY INSTRUCTIONS

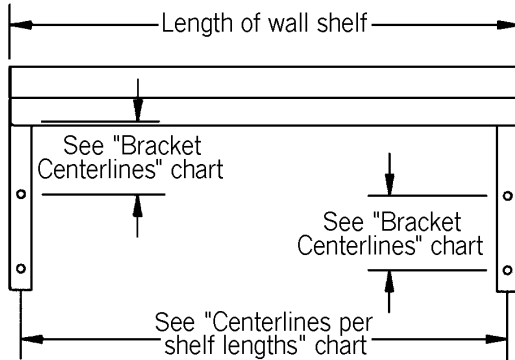
CAUTION

INSPECT CONTENTS IMMEDIATELY AND FILE CLAIM WITH DELIVERING CARRIER FOR ANY DAMAGE.

SAVE YOUR BOX AND ALL PACKING MATERIALS.

YOU ARE RESPONSIBLE FOR DAMAGE TO YOUR UNIT IF RETURNED IMPROPERLY PACKED.

Centerline Locations

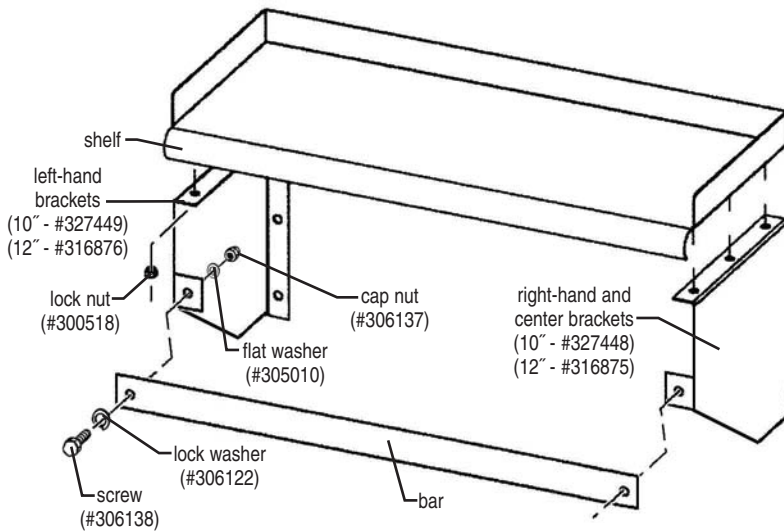


Centerlines per shelf lengths

# of brackets	length of wall shelf	1st centerline	2nd centerline	3rd centerline	4th centerline	5th centerline
2	36"	34 ¹⁵ / ₁₆ "	n/a	n/a	n/a	n/a
3	48"	46 ¹⁵ / ₁₆ "	n/a	n/a	n/a	n/a
4	60"	29 ⁷ / ₁₆ "	29 ⁷ / ₁₆ "	n/a	n/a	n/a
4	72"	23 ³ / ₈ "	23 ³ / ₈ "	23 ³ / ₈ "	n/a	n/a
4	84"	27 ³ / ₈ "	27 ³ / ₈ "	27 ³ / ₈ "	n/a	n/a
5	96"	23 ³ / ₈ "	23 ³ / ₈ "	23 ³ / ₈ "	23 ³ / ₈ "	n/a
5	102"	25 ¹ / ₄ "	25 ¹ / ₄ "	25 ¹ / ₄ "	25 ¹ / ₄ "	n/a
6	108"	21 ³ / ₈ "	21 ³ / ₈ "	21 ³ / ₈ "	21 ³ / ₈ "	21 ³ / ₈ "
6	120"	23 ¹³ / ₁₆ "	23 ¹³ / ₁₆ "	23 ¹³ / ₁₆ "	23 ¹³ / ₁₆ "	23 ¹³ / ₁₆ "
6	132"	26 ³ / ₁₆ "	26 ³ / ₁₆ "	26 ³ / ₁₆ "	26 ³ / ₁₆ "	26 ³ / ₁₆ "
6	144"	28 ⁹ / ₁₆ "	28 ⁹ / ₁₆ "	28 ⁹ / ₁₆ "	28 ⁹ / ₁₆ "	28 ⁹ / ₁₆ "

Bracket Centerlines

width of wall shelf	centerline
10"	3 ¹ / ₂ "
12"	4 ¹ / ₂ "



Step 1

Remove the lock nuts found on the bottom of the shelf.

Step 2

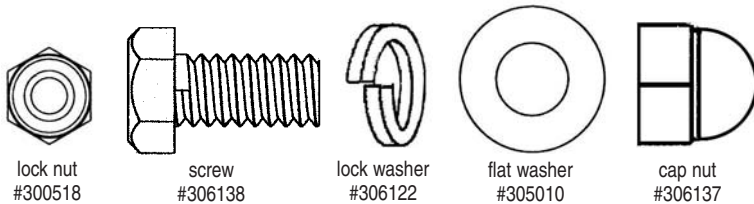
Lay shelf on brackets and replace the lock nuts.

Step 3

Attach front bar as shown.

Step 4

Mount to wall using "Centerline Locations" charts above.



(actual size of hardware)

(End)



• 100 Industrial Boulevard, Clayton, Delaware 19938-8903 U.S.A. • www.eaglegrp.com
 • Phone: 302/653-3000 • (Foodservice) 800/441-8440 • (MHC/Retail) 800/637-5100
 • Fax: 302/653-2065

Eagle Foodservice Equipment, Eagle MHC, SpecFAB, and Retail Display are divisions of Eagle Group. ©2008 by the Eagle Group