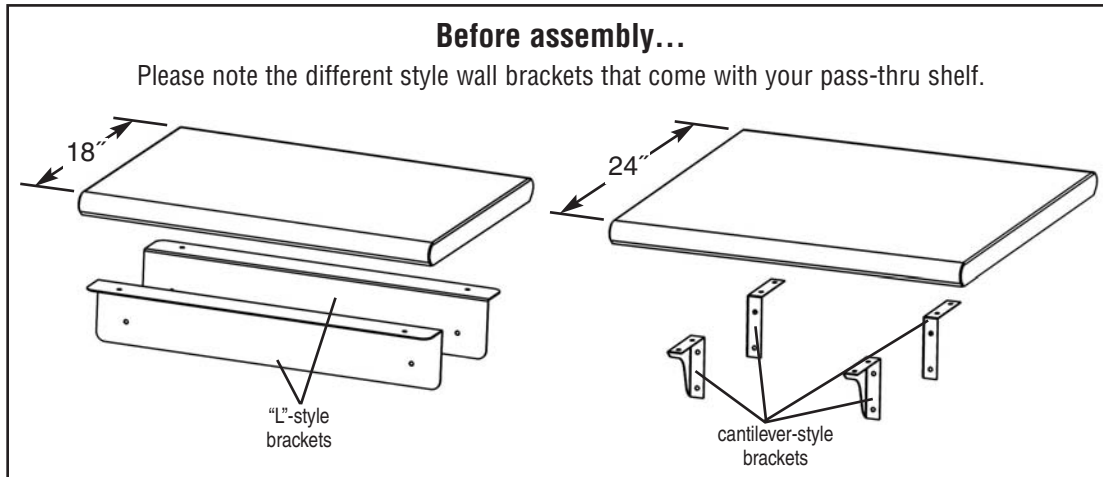


# Pass-Thru Shelves

## ASSEMBLY INSTRUCTIONS

### CAUTION

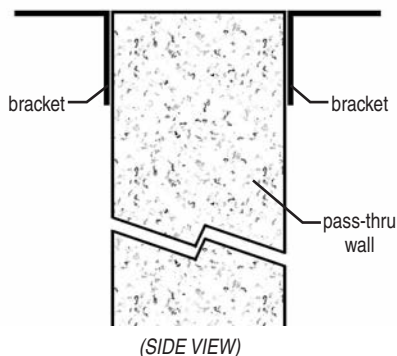
INSPECT CONTENTS IMMEDIATELY AND FILE CLAIM WITH DELIVERING CARRIER FOR ANY DAMAGE.  
**SAVE YOUR BOX AND ALL PACKING MATERIALS.**  
 YOU ARE RESPONSIBLE FOR DAMAGE TO YOUR UNIT IF RETURNED IMPROPERLY PACKED.



### Step 1 - Attach brackets to each side of pass-thru wall.

Bracket style varies, based on shelf width—see illustration above (hardware for mounting brackets to wall not included).

**IMPORTANT:** Make sure brackets will make contact with bottom channel of shelf to be mounted.

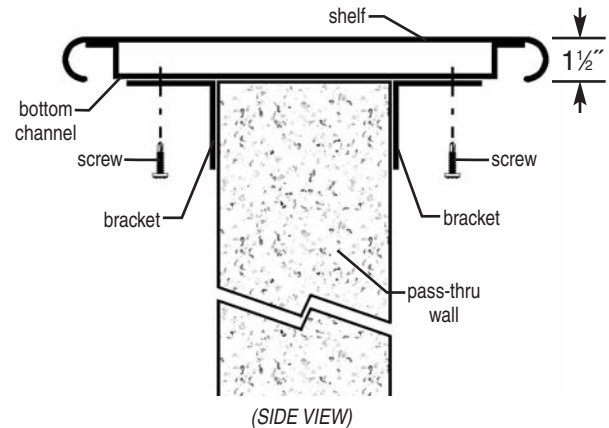


### Step 2 - Attach shelf to brackets.

Center the shelf over the pass-thru wall. Attach brackets to bottom channel of shelf, using #10 self-drilling screws provided.

Assembly is complete.

**IMPORTANT NOTE: PASS-THRU SHELF IS 1-1/2" HIGHER THAN THE BRACKETS.**



Note: The wall brackets must be fastened securely prior to mounting shelf. Eagle Group will not be held accountable for wall brackets pulling away from the wall.

(End)