



Profit from the Eagle Advantage®

Specification Sheet

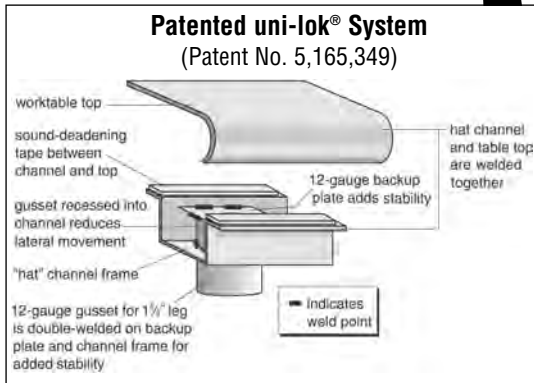
Short Form Specifications

Eagle Knock Down Worktable with Cabinet Kit, model _____ . Top and side panels to be heavy gauge type 430 stainless steel, with 4½" x 1" backsplash. Base to have (hinged, sliding) doors, table to have stainless steel enclosed sides and front with open rear. Unit ships knocked down.

PATENTED!
(Patent #6,981,751)



T3036BA-BS-HGD



Patented uni-lok® System
(Patent No. 5,165,349)

Options / Accessories

- Casters
- Locks

EAGLE GROUP

100 Industrial Boulevard, Clayton, DE 19938-8903 USA
Phone: 302-653-3000 • Fax: 302-653-2065
www.eaglegrp.com

Foodservice Division: Phone 800-441-8440

MHC/Retail Display Divisions: Phone 800-637-5100

For custom configuration or fabrication needs, contact our **SpecFAB®** Division.

Phone: 302-653-3000 • Fax: 302-653-2065 • e-mail: quotes@eaglegrp.com

Item No.: _____
 Project No.: _____
 S.I.S. No.: _____

Knock Down Worktables with Cabinet Kit

MODELS:

- | | |
|---|---|
| <input type="checkbox"/> T3036BA-BS-HGD | <input type="checkbox"/> T3036BA-BS-SLD |
| <input type="checkbox"/> T3048BA-BS-HGD | <input type="checkbox"/> T3048BA-BS-SLD |
| <input type="checkbox"/> T3060BA-BS-HGD | <input type="checkbox"/> T3060BA-BS-SLD |

Features

- Patented design (patent #6,981,751).
- Type 430 stainless steel tabletop and side panels.
- 34½" (876mm) working height with plastic adjustable feet.
- 1½" (41mm) diameter galvanized legs.
- Patented uni-lok® (patent #5,165,349) leg channel supports left-to-right.
- Plated gusset holders.
- Stainless steel worksurface with integral 4½" high x 1" deep (114 x 25mm) backsplash.
- Shipped knocked down and easy to assemble.
- Stainless steel exposed enclosure panels on sides and doors.
- Full-size galvanized undershelf.

HGD Series - Tables with Hinged Doors

- Chrome pull handles.
- Magnetic door catch.
- Lift-off hinge construction.

SLD Series - Tables with Sliding Doors

- Integrated full height vertical handle.
- Removable bottom track without tools.
- Doors feature rubber bumpers and button glides.

Certifications / Approvals



EG10.36 Rev. 01/19

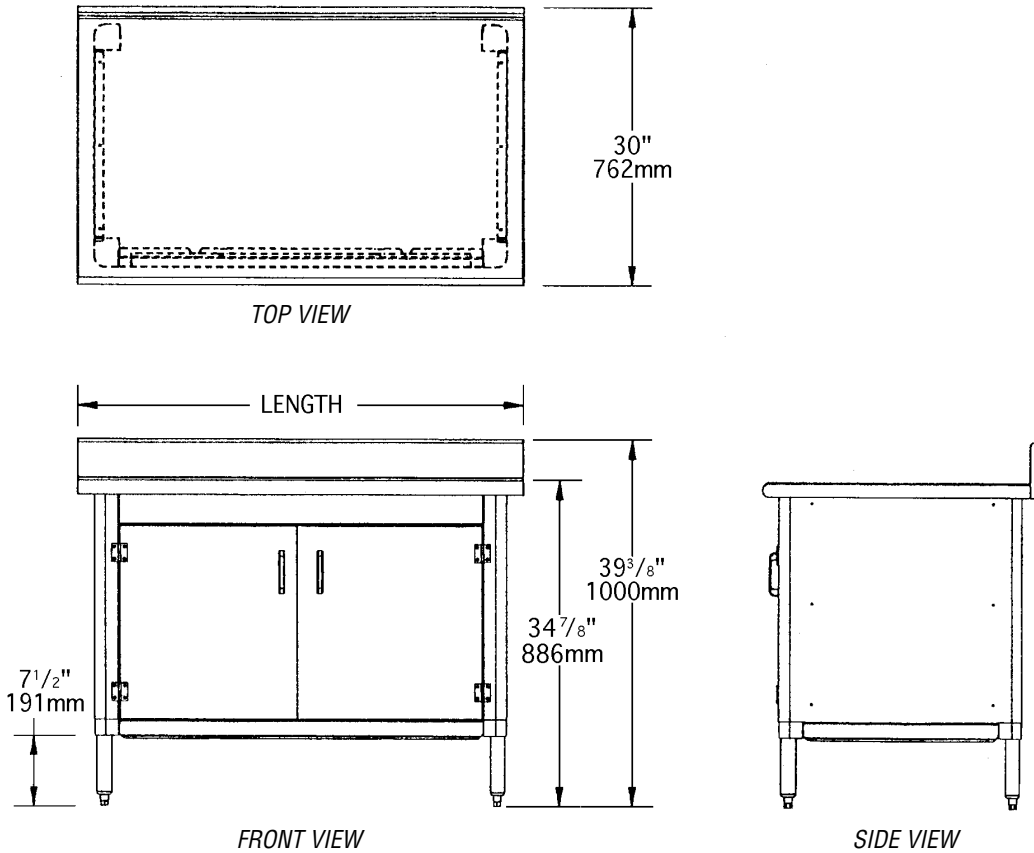
Spec sheets available for viewing, printing or downloading from our online literature library at www.eaglegrp.com

Eagle Foodservice Equipment, Eagle MHC, SpecFAB®, and Retail Display are divisions of Eagle Group. ©2019 by the Eagle Group



Item No.: _____
 Project No.: _____
 S.I.S. No.: _____

Knock Down Worktables with Cabinet Kit



Note: HGD Series table with hinged doors shown

| WITH HINGED DOORS model # | WITH SLIDING DOORS model # | width | | length | | weight | |
|------------------------------|-------------------------------|-------|-----|--------|------|--------|------|
| | | in. | mm | in. | mm | lbs. | kg |
| T3036BA-BS-HGD | T3036BA-BS-SLD | 30" | 762 | 36" | 914 | 52 | 23.6 |
| T3048BA-BS-HGD | T3048BA-BS-SLD | 30" | 762 | 48" | 1219 | 66 | 29.9 |
| T3060BA-BS-HGD | T3060BA-BS-SLD | 30" | 762 | 60" | 1524 | 79 | 35.8 |

EAGLE GROUP
 100 Industrial Boulevard, Clayton, DE 19938-8903 USA
 Phone: 302-653-3000 • Fax: 302-653-2065
 www.eaglegrp.com

Foodservice Division: Phone 800-441-8440
 MHC/Retail Display Divisions: Phone 800-637-5100

Printed in U.S.A.
 ©2019 by Eagle Group
 Rev. 01/19

Spec sheets available for viewing, printing or downloading from our online literature library at www.eaglegrp.com

Although every attempt has been made to ensure the accuracy of the information provided, we cannot be held responsible for typographical or printing errors. Information and specifications are subject to change without notice. Please confirm at time of order.