



Profit from the Eagle Advantage®

Specification Sheet

Short Form Specifications

Eagle AdjuSTable® Work Surface System with Overhead System, model _____. Heavy gauge brushed stainless steel top with choice of base combination: one wire undershelf and one C-frame or H-frame, or two C-frames or H-frames. Systems that offer 12"-wide (chrome, stainless steel) cantilevered overshelves are combined with two 33" front posts and two 63" rear posts. Systems that offer 14"-wide (chrome, stainless steel) wire overshelves are combined with two 33" front posts, two 63" rear posts, and two 29" front posts for wire overshelves. Wire overshelves and undershelves feature patented QuadTruss® design.



AdjuSTable® with Cantilevered Overhead System and undershelf/C-frame base



AdjuSTable® with Wire Overshelf System and C-frame bases

Options / Accessories

- Drawers
- Keyboard stations
- Reel holders**
- Lock
- Add'l undershelves
- Bench power centers**
- Casters
- Bin holders**

** See spec sheet #EG07.13B for these options.

EAGLE GROUP

100 Industrial Boulevard, Clayton, DE 19938-8903 USA

Phone: 302-653-3000 • Fax: 302-653-2065

www.eaglegrp.com

Foodservice Division: Phone 800-441-8440

MHC/Retail Display Divisions: Phone 800-637-5100

For custom configuration or fabrication needs, contact our SpecFAB® Division.

Phone: 302-653-3000 • Fax: 302-653-2065 • e-mail: quotes@eaglegrp.com

Item No.: _____
 Project No.: _____
 S.I.S. No.: _____

AdjuSTable® Work Surface System with Overhead System

MODELS:

- *2436T-2
- *3036T-2
- *3636T-2
- *2448T-2
- *3048T-2
- *3648T-2
- *2460T-2
- *3060T-2
- *3660T-2

* See chart on back page for complete model numbers.

Features on all systems

- Stainless steel work surface available in solid or perforated, with brushed or electropolished finish.
- All work surface tabletops feature hat channel underneath for added strength.
- All posts are numbered in 1" (25mm) increments for flexible and level positioning of the base that you choose. Available in chrome or stainless steel finish.
- Base combination available with or without wire undershelf, with chrome or stainless steel H-frame(s) or C-frame(s).
- An almost unlimited number of custom configurations can be created by adding undershelves.
- 34½" (876mm) working height.

AdjuSTable® with Cantilevered Overhead System

- Two 33" (838mm) front posts.
- Two 63" (1600mm) rear posts.
- Two 12" (305mm)-wide chrome or stainless steel cantilevered shelves mount to rear posts.

AdjuSTable® with Wire Overhead System

- Two 33" (838mm) front posts.
- Two 63" (1600mm) rear posts.
- Two 29" (737mm) front posts for wire overshelves.
- Two 14" (356mm)-wide chrome or stainless steel wire overshelves mount to rear posts and to 29" (737mm) posts.

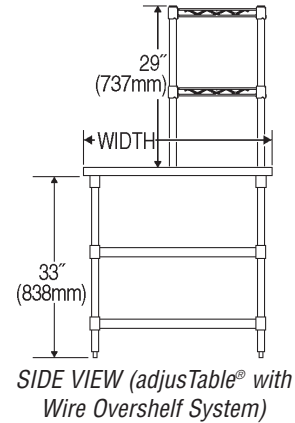
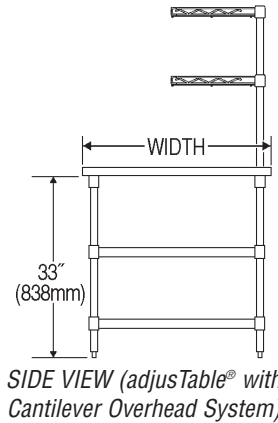
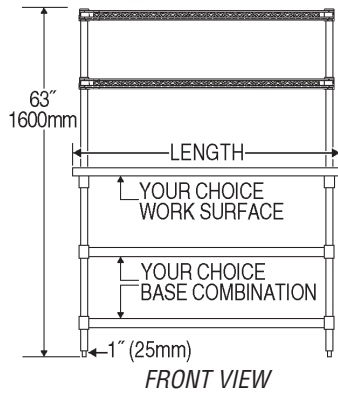
Spec sheets available for viewing, printing or downloading from our online literature library at www.eaglegrp.com



Item No.: _____
 Project No.: _____
 S.I.S. No.: _____

Adjustable® Work Surface System with Overhead System

To order, choose a work surface (Step 1), then choose a base combination (Step 2).



Step 1) Select work surface.

16 gauge type 304 brushed stainless steel top. Choose from the following:

ADJUSTABLE® WITH CANTILEVER OVERHEAD SYSTEM*		ADJUSTABLE® WITH WIRE OVERSHELF SYSTEM**		width x length		weight	
OAC Series w/chrome base	OAS Series w/stainless base	WOAC Series w/chrome base	WOAS Series w/stainless base	in.	mm	lb.	kg
OAC2436T-2	OAS2436T-2	WOAC2436T-2	WOAS2436T-2	24" x 36"	610 x 914	65	29.5
OAC2448T-2	OAS2448T-2	WOAC2448T-2	WOAS2448T-2	24" x 48"	610 x 1219	81	36.7
OAC2460T-2	OAS2460T-2	WOAC2460T-2	WOAS2460T-2	24" x 60"	610 x 1524	97	44.0
OAC3036T-2	OAS3036T-2	WOAC3036T-2	WOAS3036T-2	30" x 36"	762 x 914	75	34.0
OAC3048T-2	OAS3048T-2	WOAC3048T-2	WOAS3048T-2	30" x 48"	762 x 1219	94	42.6
OAC3060T-2	OAS3060T-2	WOAC3060T-2	WOAS3060T-2	30" x 60"	762 x 1524	113	51.3
OAC3636T-2	OAS3636T-2	WOAC3636T-2	WOAS3636T-2	36" x 36"	914 x 914	85	38.6
OAC3648T-2	OAS3648T-2	WOAC3648T-2	WOAS3648T-2	36" x 48"	914 x 1219	108	49.0
OAC3660T-2	OAS3660T-2	WOAC3660T-2	WOAS3660T-2	36" x 60"	914 x 1524	131	59.4

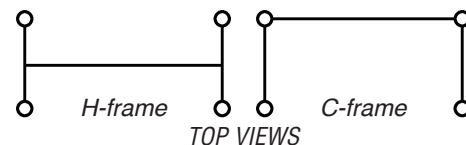
* For Adjustable® with Cantilever Overhead System: Work surface of your choice is combined with two 33" (838mm) posts, two 63" (1600mm) posts, two 12" (305mm) cantilevered shelves, and with the base combination of your choice.

** For Adjustable® with Wire Overshelf System: Work surface of your choice is combined with two 33" (838mm) posts, two 63" (1600mm) posts, two 29" (737mm) posts, two 14" (356mm) wire overshelves, and with the base combination of your choice.

Step 2) Select base combination.

Must be specified with your choice of work surface. Choose from the following:

- Base with two C-frames.
- Base with one C-frame and one wire shelf.
- Base with two H-frames.
- Base with one H-frame and one wire shelf.



EAGLE GROUP
 100 Industrial Boulevard, Clayton, DE 19938-8903 USA
 Phone: 302-653-3000 • Fax: 302-653-2065 • www.eaglegrp.com

Foodservice Division: Phone 800-441-8440
 MHC/Retail Display Divisions: Phone 800-637-5100

Printed in U.S.A.
 ©2014 by Eagle Group
 Rev. 07/14

Spec sheets available for viewing, printing or downloading from our online literature library at www.eaglegrp.com

Although every attempt has been made to ensure the accuracy of the information provided, we cannot be held responsible for typographical or printing errors. Information and specifications are subject to change without notice. Please confirm at time of order.