

## INSTRUCTIONS

### CAUTION

INSPECT CONTENTS IMMEDIATELY AND FILE CLAIM WITH DELIVERING CARRIER FOR ANY DAMAGE. **SAVE YOUR BOX AND ALL PACKING MATERIALS.** YOU ARE RESPONSIBLE FOR DAMAGE TO YOUR UNIT IF RETURNED IMPROPERLY PACKED.

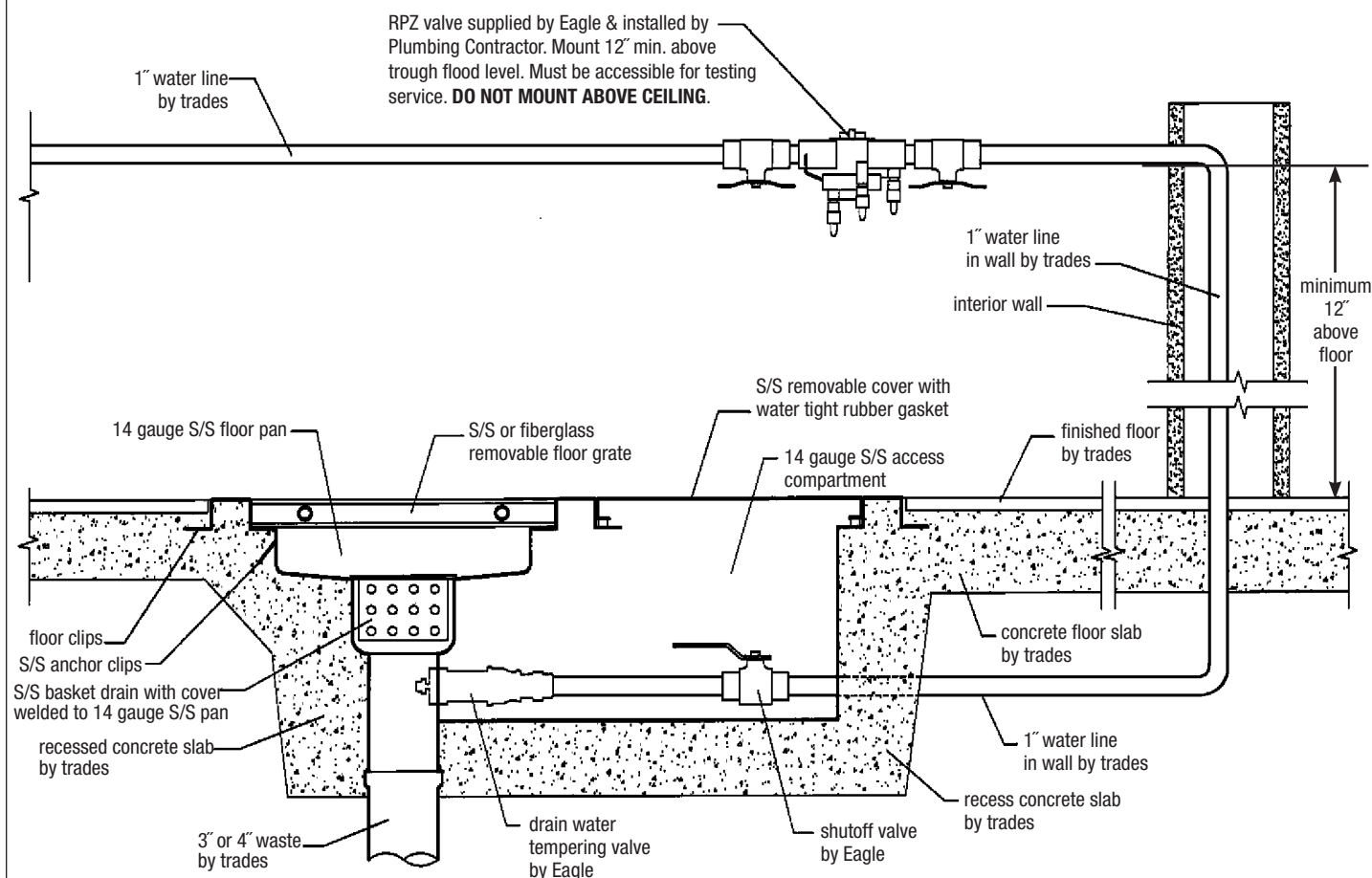
### IMPORTANT!

- **Local Code** - You are required to consult the local building and plumbing codes prior to installation. If information given here is inconsistent with local building or plumbing code, the local codes should be followed.
- **Testing** - The backflow preventer must be tested periodically in compliance with local codes, but at least once per year. For field testing procedures, refer to Watts instruction sheets: IS-TK-DP/DL, IS-TK-9A, IS-TK-99E, and IS-TK-99D found on [www.watts.com](http://www.watts.com).
- **Indoors** - The backflow preventer assembly must be easily accessible to facilitate testing and servicing. If it is located in a line close to a wall, be sure the test cocks are easily accessible.

In normal operation, there will be a slight discharge of water. A drain line and air gap should be piped from the relief valve connection, where evidence of discharge will be clearly visible so that water damage will not occur.

*NEVER INSTALL IN CONCEALED LOCATIONS.*

### Tempering Water Temperature Floor Grate Detail



(continued on next page)

EG9899 Revised 05/25



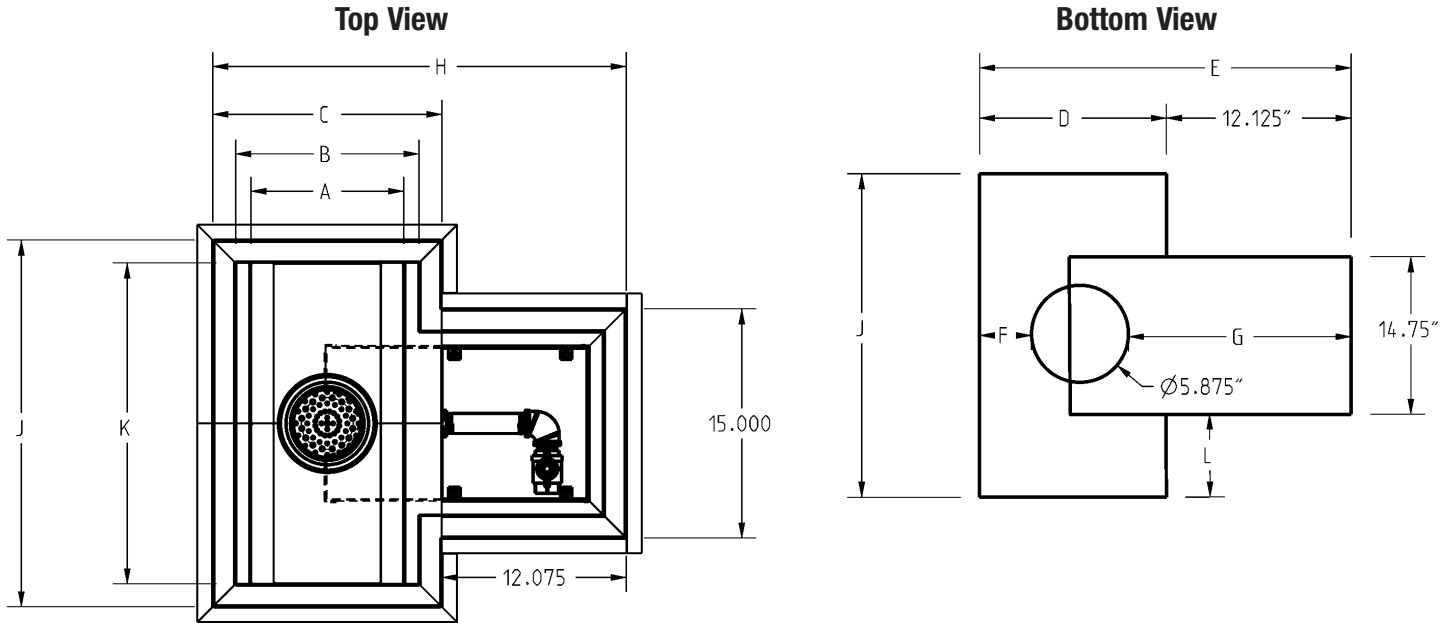
Profit from the Eagle Advantage®

Eagle Foodservice Equipment, Eagle MHC, and SpecFAB® are divisions of Eagle Group. ©2025 by the Eagle Group

- 100 Industrial Boulevard, Clayton, Delaware 19938-8903 U.S.A.
- Phone: 302/653-3000 • 800/441-8440 • Fax: 302/653-2065
- [www.eaglegrp.com](http://www.eaglegrp.com) • [www.eaglemhc.com](http://www.eaglemhc.com)

# Cool Trough®

## INSTRUCTIONS



### Widths

MODEL	12" WIDE	15" WIDE	18" WIDE	24" WIDE
A = 7"	A = 10"	A = 13"	A = 19"	
B = 9"	B = 12"	B = 15"	B = 21"	
C = 12"	C = 15"	C = 18"	C = 24"	
D = 9.25"	D = 12.25"	D = 15.25"	D = 21.25"	
E = 21.375"	E = 24.375"	E = 27.375"	E = 33.375"	
F = 1.688"	F = 3.188"	F = 4.688"	F = 7.688"	
G = 13.763"	G = 15.263"	G = 16.763"	G = 19.763"	
H = 24.075"	H = 27.075"	H = 30.075"	H = 36.075"	

### Lengths

MODEL	15" LONG	18" LONG	24" LONG	30" LONG	36" LONG	48" LONG	60" LONG	72" LONG	84" LONG	96" LONG	120" LONG
J = 15"	J = 18"	J = 24"	J = 30"	J = 36"	J = 48"	J = 60"	J = 72"	J = 84"	J = 96"	J = 120"	
K = 12"	K = 15"	K = 21"	K = 27"	K = 33"	K = 45"	K = 57"	K = 69"	K = 81"	K = 93"	K = 117"	
L = 0"	L = 1.625"	L = 4.625"	L = 7.625"	L = 10.625"	L = 16.625"	L = 22.625"	L = 28.625"	L = 34.625"	L = 40.625"	L = 52.625"	

Size of rough-in hole for trough should be as follows:  
 Width = "Dimension D"  
 Length = "Dimension J"  
 Depth = 4.25"

Size of rough-in for the plumbing compartment should be as follows:  
 Width = "Dimension E", use Dimensions F & G for placement.  
 Length = 14.75", use Dimension L for placement.  
 Depth = 11.25"

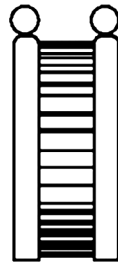
(continued on next page)

## INSTRUCTIONS

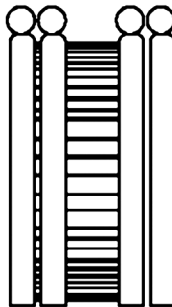
### Please note:

1. Quote the requirements of the universal plumbing code regarding the 140°F temperature limit for waste water.
2. A no-hub connector made with a neoprene coupling sleeve is recommended. These are rated for continuous service at 203°F with a maximum intermittent temperature of 212°F.
3. Recommend using Anaco, standard no-hub straight couplings or reducing couplings as required.
4. Use the Anaco installation instructions (see below).
5. Also note: Use of lubricants on the couplings during installation may not be allowed by local code. Check prior to installation.

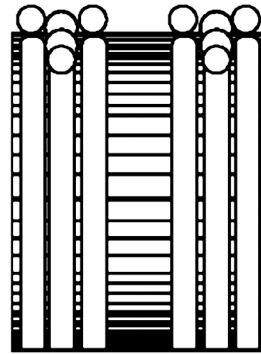
### INSTALLATION INSTRUCTIONS for Anaco No-Hub Couplings:



*Figure 1*  
1-1/2" – 4"  
(two bands)



*Figure 2*  
5" – 10"  
(four bands)



*Figure 3*  
12" – 15"  
(six bands)

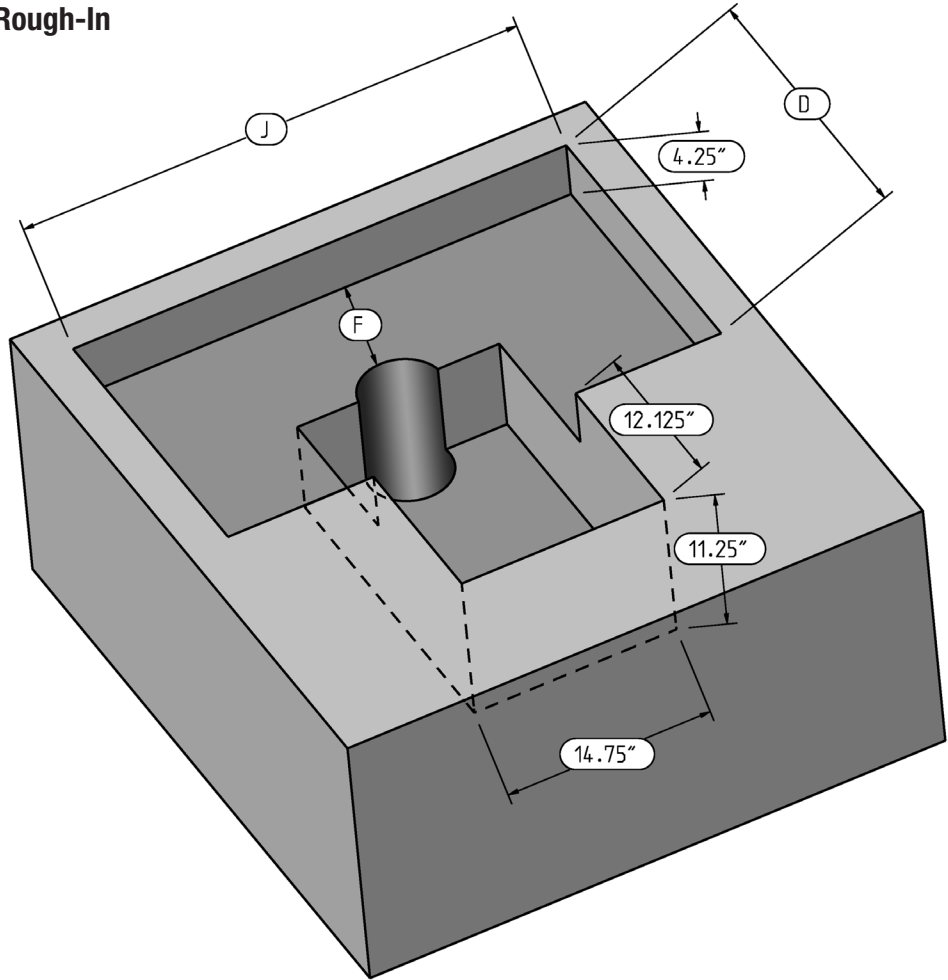
1. After making the field cuts square and placing the ends of the pipes against the center-stop of the gasket, slide the clamp assembly into position centered over the gasket.
2. Using a torque wrench, tighten stainless steel screws alternately to 60-inch pounds torque for 1½" to 10" and 80-inch pounds torque for 12" & 15".
3. For 5" to 10" couplings, tighten inner bands first, then tighten outer bands.
4. For 12" & 15" couplings, tighten inner bands, center bands and outer bands. When min-max conditions exist, tighten each band starting on the smaller side: 3,2,1 and 3,2,1 again. Then torque the maximum side: 4, 5, 6 and 4, 5, 6 again. Finally, torque 2,1 on the minimum side and 4, 5, 6 on the maximum side. (See *Figure 3* above.)
5. Eagle recommends Anaco No-Hub couplings (not included).

(continued on back page) 

# Cool Trough®

## INSTRUCTIONS

### Isometric View of Rough-In



### Widths

MODEL				
12" WIDE	15" WIDE	18" WIDE	24" WIDE	
D = 9.25"	D = 12.25"	D = 15.25"	D = 21.25"	
F = 1.688"	F = 3.188"	F = 4.688"	F = 7.688"	

### Lengths

MODEL											
15" LONG	18" LONG	24" LONG	30" LONG	36" LONG	48" LONG	60" LONG	72" LONG	84" LONG	96" LONG	120" LONG	
J = 15"	J = 18"	J = 24"	J = 30"	J = 36"	J = 48"	J = 60"	J = 72"	J = 84"	J = 96"	J = 120"	

(End)



• 100 Industrial Boulevard, Clayton, Delaware 19938-8903 U.S.A.  
 • Phone: 302/653-3000 • 800/441-8440 • Fax: 302/653-2065  
 • www.eaglegrp.com • www.eaglemh.com

Eagle Foodservice Equipment, Eagle MHC, and SpecFAB® are divisions of Eagle Group. ©2025 by the Eagle Group