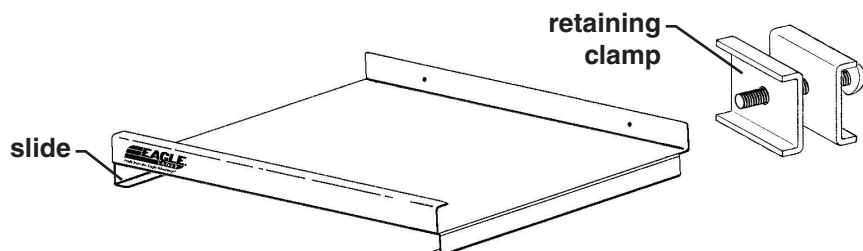


One-Piece Slides

INSTALLATION INSTRUCTIONS

CAUTION

INSPECT CONTENTS IMMEDIATELY AND FILE CLAIM WITH DELIVERING CARRIER FOR ANY DAMAGE.
SAVE YOUR BOX AND ALL PACKING MATERIALS.
YOU ARE RESPONSIBLE FOR DAMAGE TO YOUR UNIT IF RETURNED IMPROPERLY PACKED.



Parts List

quantity	part number	description
1	A203920 *	slide - 18" front-to-back, or
	A203921 *	slide - 21" front-to-back, or
	A203922 *	slide - 24" front-to-back
2	907857	retaining clamps

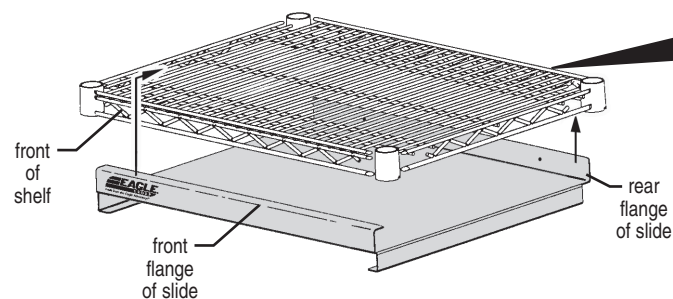
* Part number of slide varies, depending on order.

Before assembly, please note...

- Front end of one-piece slide is indicated by the Eagle Group logo.
- Rear end of slide includes two holes, which will be used in conjunction with retaining clamps.

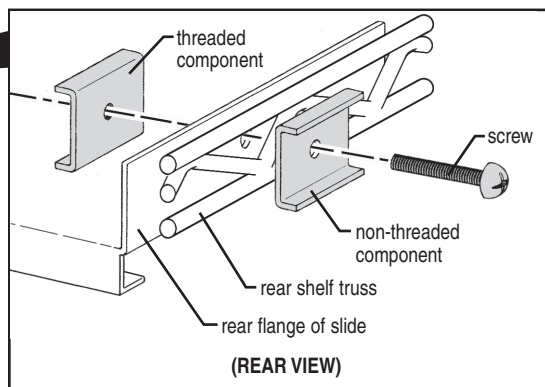
Step 1 - Place slide onto underside of shelf.

- Hook front flange of slide onto and over front of shelf.
- Push rear flange of slide up and in front of rear shelf truss.



Step 2 - Secure with retaining clamps.

- On rear flange of slide, look for two predrilled holes.
- Attach retaining clamps as shown in illustration below.



Assembly is complete.

