

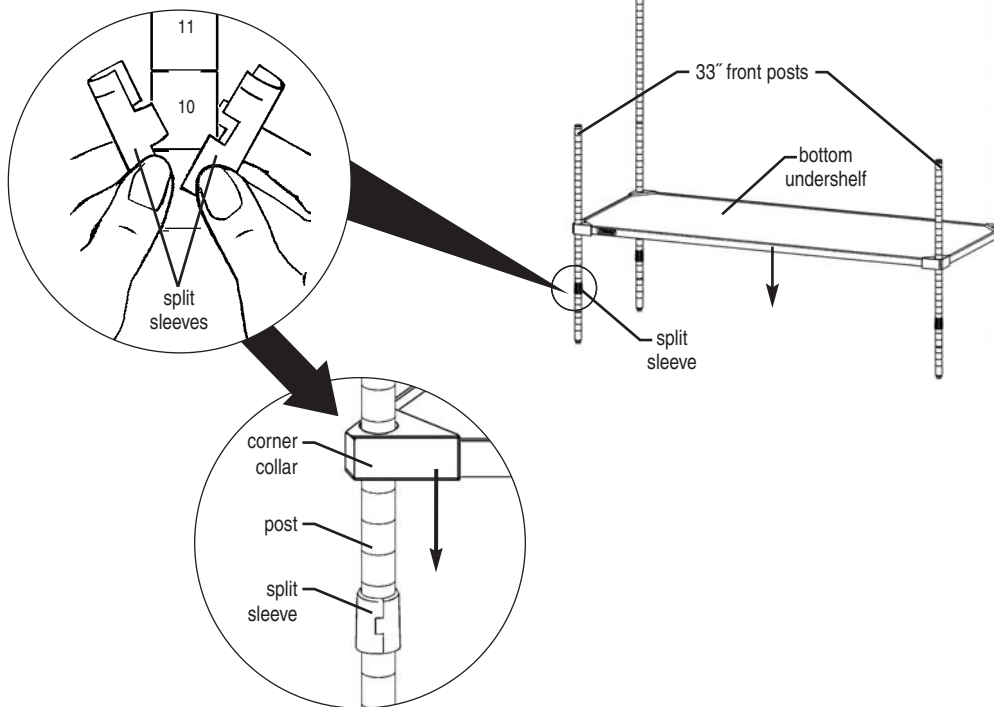
Carry-Out Worktable**ASSEMBLY INSTRUCTIONS****CAUTION**

INSPECT CONTENTS IMMEDIATELY AND FILE CLAIM WITH DELIVERING CARRIER FOR ANY DAMAGE.
SAVE YOUR BOX AND ALL PACKING MATERIALS.
 YOU ARE RESPONSIBLE FOR DAMAGE TO YOUR UNIT IF RETURNED IMPROPERLY PACKED.

**Step 1 - Mount bottom undershelf.**

Attach split sleeves onto #10 groove on 33" front posts and on 74" rear posts.

- The wider part of the taper goes toward the bottom.
- Make sure rib on split sleeve is seated into groove on the post.



(continued on back page)

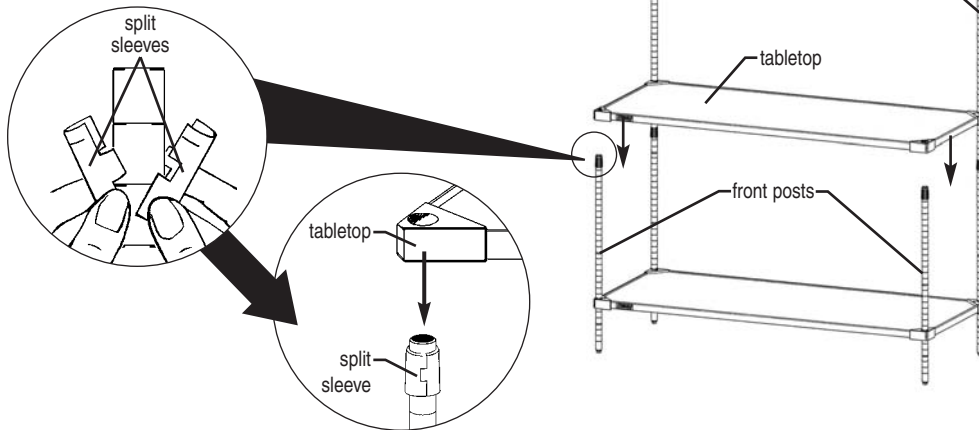
EG9862 Revised 07/09

Carry-Out Worktable

ASSEMBLY INSTRUCTIONS

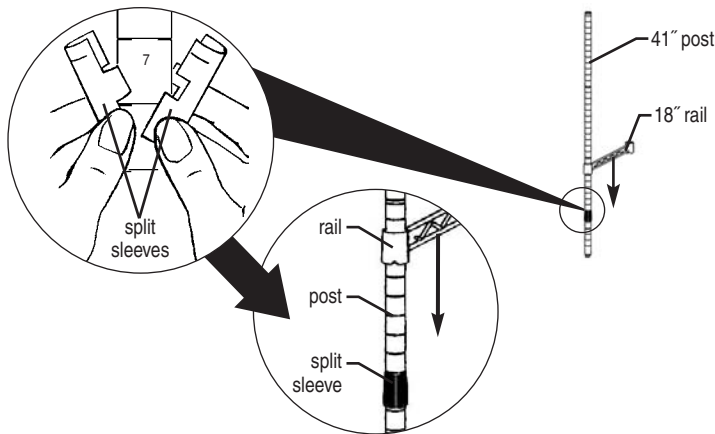
Step 2 - Mount tabletop.

Snap split sleeves onto topmost groove on front posts, and onto #33 groove on rear posts.



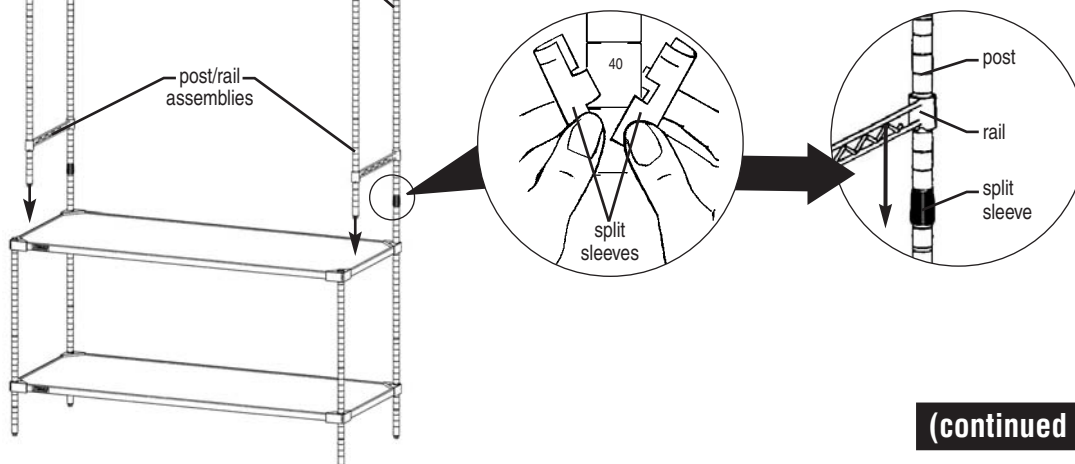
Step 3 - Assemble 18" front-to-back rails and 41" posts.

Snap split sleeves onto #7 groove on 41" posts.



Step 4 - Mount post/rail assemblies to rear posts.

Snap split sleeves onto #40 groove on rear posts.



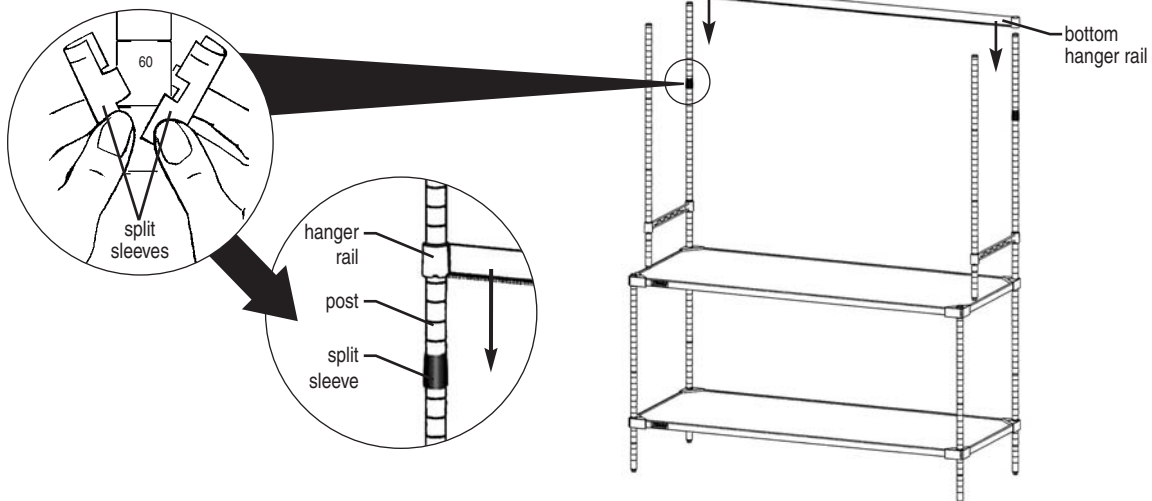
(continued on page 3)

Carry-Out Worktable

ASSEMBLY INSTRUCTIONS

Step 5 - Mount bottom hanger rail.

Snap split sleeves onto #60 groove on rear posts.

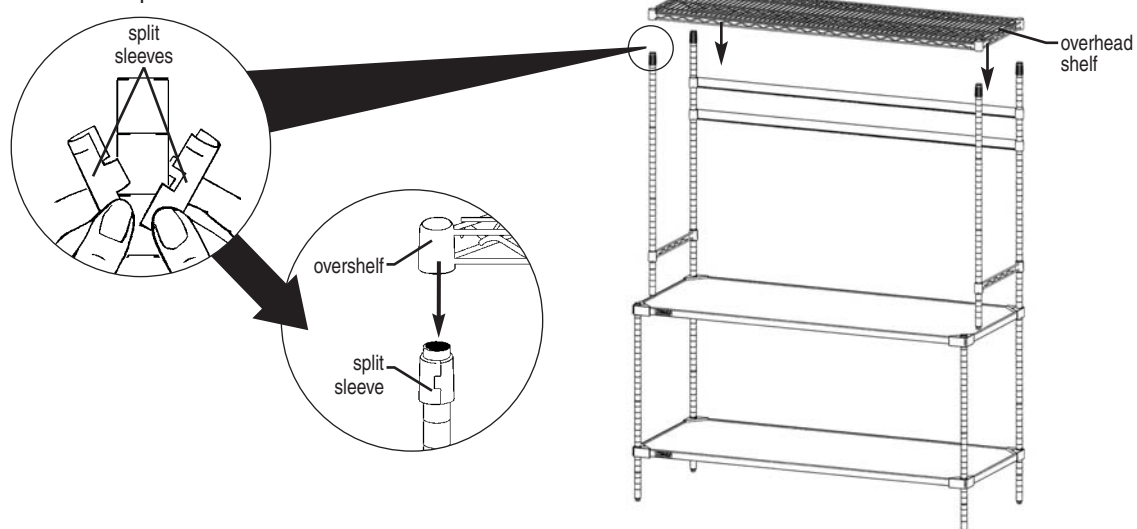


Step 6 - Mount top hanger rail.

Snap split sleeves onto #66 groove on rear posts.

Step 7 - Mount overhead shelf.

Snap split sleeves onto topmost groove on 41" posts and on rear posts.



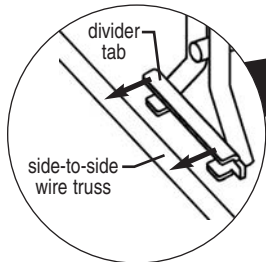
(continued on back page)

Carry-Out Worktable

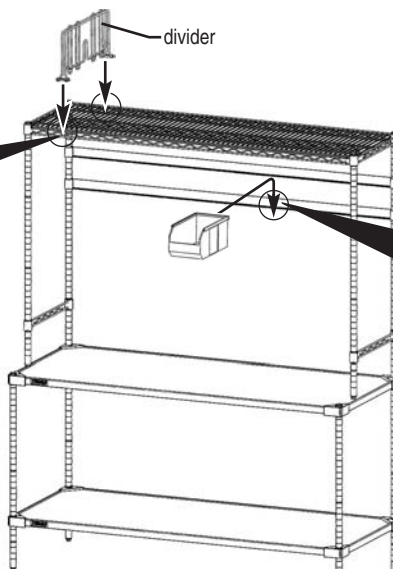
ASSEMBLY INSTRUCTIONS

Step 8 - Attach dividers onto wire overshelf.

- Place divider onto shelf at desired location.
- Snap the front and rear tabs onto side-to-side wire trusses.

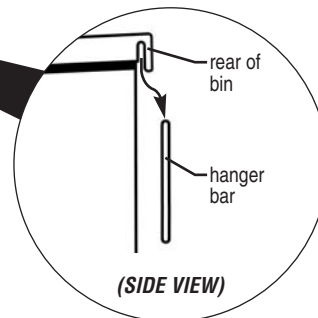


Repeat Step 8 to attach remaining dividers.

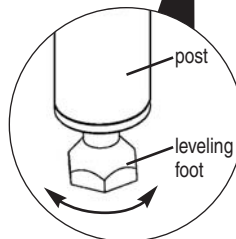


Step 9 - Attach bins onto hanger bars.

Hook rear of bin onto hanger bar at desired location.

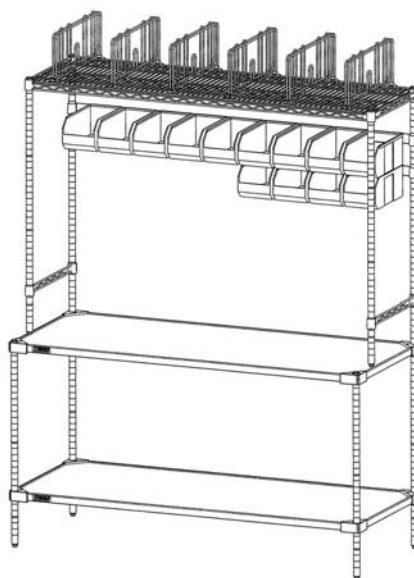


Repeat Step 9 to attach remaining bins.



Step 10 - Level unit.

The leveling feet allow approximately 1" adjustment.



Assembly is complete.

(End)