

Oven Stand #T2340-Q

ASSEMBLY INSTRUCTIONS

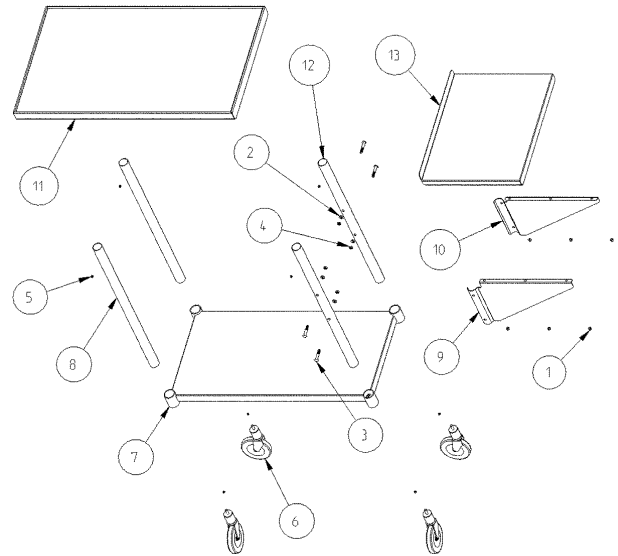
CAUTION

INSPECT CONTENTS IMMEDIATELY AND FILE CLAIM WITH DELIVERING CARRIER FOR ANY DAMAGE.

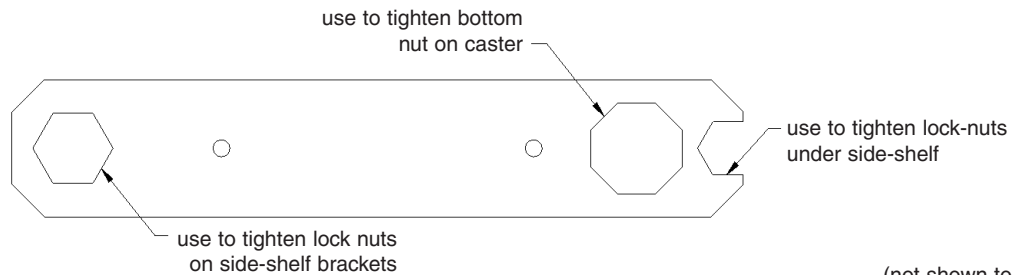
SAVE YOUR BOX AND ALL PACKING MATERIALS.
YOU ARE RESPONSIBLE FOR DAMAGE TO YOUR UNIT IF RETURNED IMPROPERLY PACKED.

IDX	PART #	DESCRIPTION	QTY
1	300518	LOCK NUT 1/4"-20 - (2 EXTRA)	8
2	306122	WASHER 3/8" LOCK - (1-EXTRA)	5
3	10173	BOLT 3/8" - 16 X 2 1/2" - (1-EXTRA)	5
4	310176	NUT 3/8"-16 - (1-EXTRA)	5
5	311243	SET SCREW 5/16"-24 - (2-EXTRA)	10
6	317635	CASTER 5" W/BRAKE	4
7	409067	2442 ADJ U/S W/ZINC GUSSETS	1
8	YTX26012-03	LEG, 31 1/2" NO HOLES	2
9	YTX26012-06	LH SHELF BRACKET	1
10	YTX26012-07	RH SHELF BRACKET	1
11	YTX26157-02	TABLETOP, 23" X 40" MARINE EDGE	1
12	YTX26157-04	LEG, 31 1/2" WITH 2-HOLES	2
13	YTX26157-05	END SHELF 23" X 18"	1
14	YTX26157-89	MULTI-WRENCH*	1
15	350091	5/32" ALLEN WRENCH*	1

* Not shown on exploded view to right



Multi-Wrench
(provided)



(not shown to scale)

(continued on back page)

EG10026 Revised 08/05

Oven Stand #T2340-Q

ASSEMBLY INSTRUCTIONS

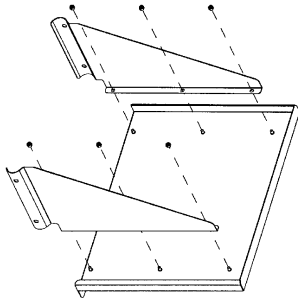


figure 1

1 Side Shelf

Tools Required: Multi-Wrench (provided)

- (1) Assemble left and right brackets to studs. Thread locknuts (6) onto studs. Leave finger tight. *See figure 1.*
NOTE: Set aside, use in step 3.

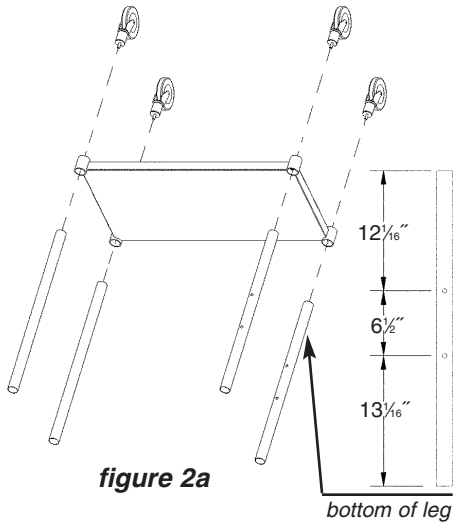


figure 2a

bottom of leg
figure 2b

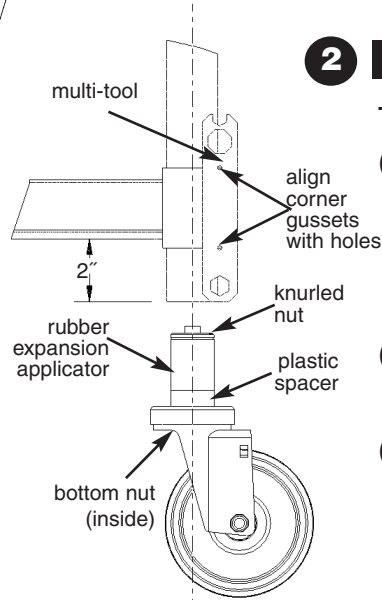


figure 2c

2 Undershelf, Legs, and Casters

Tools Required: Multi-Wrench, 5/32" allen wrench (both provided)

- (2-a) Insert legs equally through undershelf gussets from top as illustrated, *see figure 2a and 2b.* Ensure legs pass through undershelf equally. With the holes in multi-wrench aligned with the undershelf corner gusset top and bottom edges, align bottom edge of multi-wrench with bottom of leg. *See figure 2c.*
- (2-b) Thread a setscrew (4) into each undershelf corner gusset, and gently tighten with provided allen wrench finger-tight.
- (2-c) Grasp base of caster directly under plastic spacer and tighten knurled nut until rubber applicator starts to expand. The caster should fit snugly into leg, tighten knurled nut further if required. With caster fully inserted into leg, tighten bottom nut securely from underside with multi-wrench. *See figure 2c.*

3 TableTop and Side Shelf Assembly

Tools Required: Multi-Wrench, 5/32" allen wrench (both provided)

- (3-a) Place tabletop into shipping carton upside-down to prevent damage to top. Invert the leg/caster/undershelf assembly and insert legs into leg gussets on bottom of table top. *See figure 3.*
- (3-b) Install side-shelf assembly by aligning the holes as shown. Insert a 3/8" - 16 x 2 1/2" bolt (4) into each hole, place 3/8" lock washer (4) on bolt, and thread a 3/8"-16 nut (4) onto each bolt. Tighten finger tight.
- (3-c) Thread a setscrew (4) into each leg gusset, and gently tighten with the provided allen wrench until finger tight.

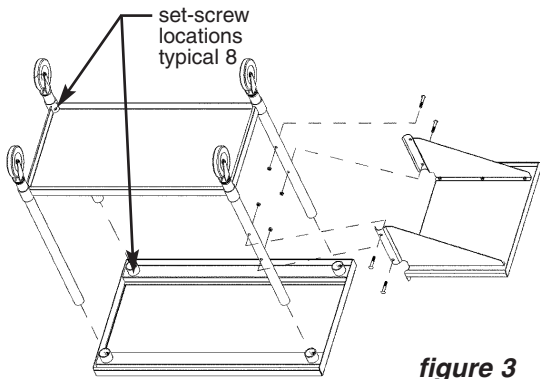


figure 3

4 Secure Hardware

Tools Required: Multi-Wrench, 5/32" allen wrench (both provided)

- (4) Stand table upright on its casters, and tighten all hardware securely. *See figure 4.*

CAUTION

Do not over-tighten locknuts on side-shelf.
Over-tightening will cause damage to the top.

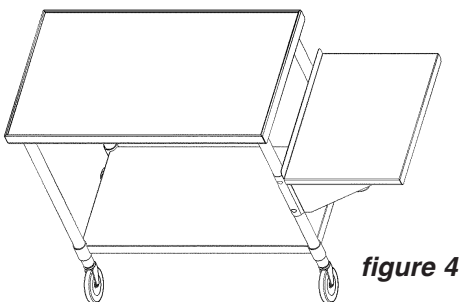


figure 4

(End)