



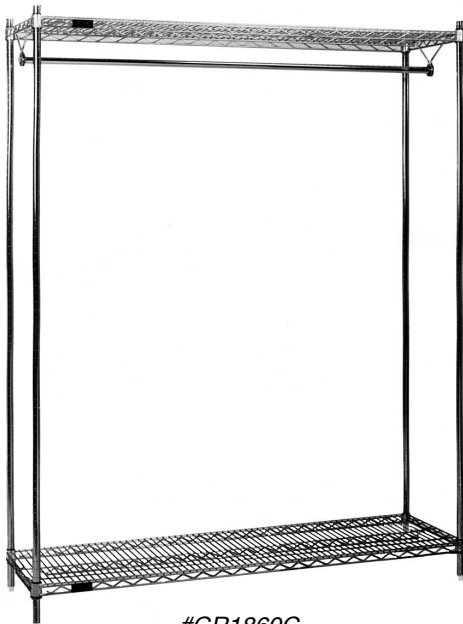
Profit from the Eagle Advantage®

Specification Sheet

Short Form Specifications

Eagle Stationary Garment Rack, model _____. Features patented QuadTruss® design chrome plated wire shelves, posts, and 1"-diameter chrome plated hanger which accepts most standard hangers.

Eagle Mobile Garment Rack, model _____. Features patented QuadTruss® design chrome plated wire shelves, posts, 5" diameter polyurethane casters with rubber donut bumper, and 1" diameter chrome plated hanger bar which accepts most standard hangers.



#GR1860C stationary unit

Options / Accessories

- Hangers
- Casters
- Wire shelves

EAGLE GROUP

100 Industrial Boulevard
Clayton, DE 19938-8903 USA

Phone: 302-653-3000 • 800-441-8440

Fax: 302-653-2065

www.eaglegrp.com • www.eaglemhc.com

For custom configuration or fabrication needs, contact our SpecFAB® Division.

Phone: 302-653-3000 • Fax: 302-653-2065 • e-mail: quotes@eaglegrp.com

| | |
|--------------|-------|
| Item No.: | _____ |
| Project No.: | _____ |
| S.I.S. No.: | _____ |

Garment Racks

MODELS:

- | | |
|-----------------------------------|-----------------------------------|
| <input type="checkbox"/> GR1836C | <input type="checkbox"/> UR1836C |
| <input type="checkbox"/> GRS1836C | <input type="checkbox"/> URS1836C |
| <input type="checkbox"/> GR1848C | <input type="checkbox"/> UR1848C |
| <input type="checkbox"/> GRS1848C | <input type="checkbox"/> URS1848C |
| <input type="checkbox"/> GR1860C | <input type="checkbox"/> UR1860C |
| <input type="checkbox"/> GRS1860C | <input type="checkbox"/> URS1860C |

Design and Construction Features

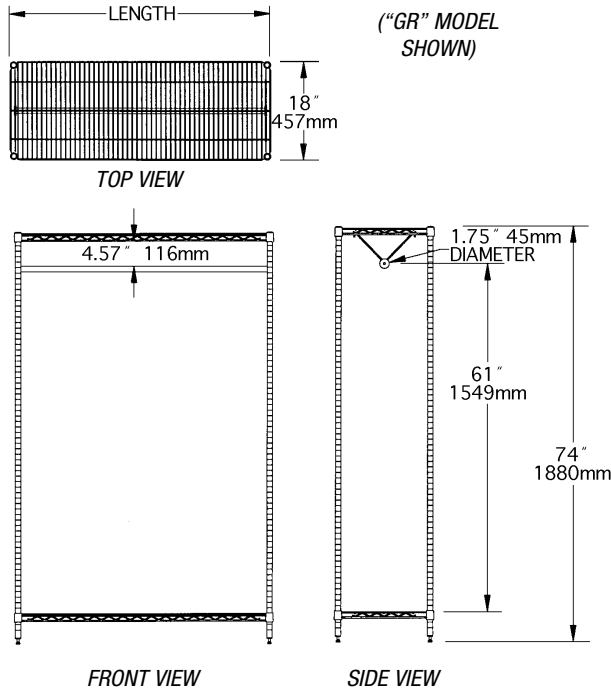
- Convenient storage or transportation of coats, uniforms, or garments.
- Wire shelves feature patented QuadTruss® design —patent #5,390,803.
- Wire design allows for vertical air flow.
- Top wire shelf for hats or flat items.
- Bottom wire shelf for drying shoes or boots; “GRS” and “URS” models have additional solid shelf below bottom wire shelf to catch moisture.
- Available in lengths from 36” to 60” (914 to 1524mm).
- Four mild steel chrome plated posts with adjustable feet.
- Two wire chrome plated shelves.
- 1” (25mm) diameter, chrome-plated coat hanger tube.
- Height of hanger tube allows for long items to be hung.
- Mobile racks feature 5” (127mm) polyurethane tread casters with rubber donut bumper.



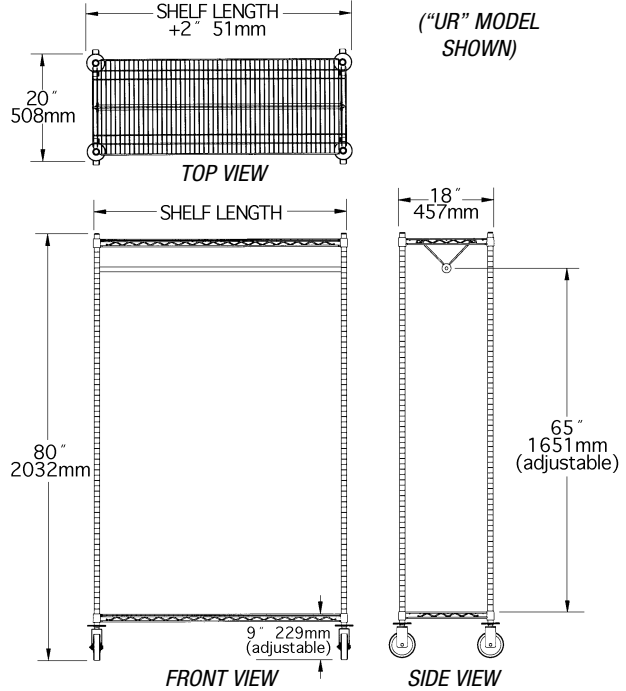
Item No.: _____
 Project No.: _____
 S.I.S. No.: _____

Garment Racks

Stationary Units



Mobile Units



| Stationary model # | Mobile model # | description | width in. | width mm | x length in. | x length mm | weight lbs. | weight kg |
|--------------------|----------------|-----------------------------|-----------|----------|--------------|-------------|-------------|-----------|
| GR1836C | UR1836C | 1 top & 1 bottom wire shelf | 18" | 457 | 36" | 914 | 48 | 21.8 |
| GRS1836C | URS1836C | same, plus 1 solid shelf | 18" | 457 | 36" | 914 | 64 | 29.0 |
| GR1848C | UR1848C | 1 top & 1 bottom wire shelf | 18" | 457 | 48" | 1219 | 52 | 23.6 |
| GRS1848C | URS1848C | same, plus 1 solid shelf | 18" | 457 | 48" | 1219 | 72 | 32.7 |
| GR1860C | UR1860C | 1 top & 1 bottom wire shelf | 18" | 457 | 60" | 1524 | 58 | 26.3 |
| GRS1860C | URS1860C | same, plus 1 solid shelf | 18" | 457 | 60" | 1524 | 82 | 37.2 |

Accessories and Replacements available

Optional Closed Loop Hangers

| Electro-polished model # | Stainless steel model # | Chrome model # | weight lbs. | weight kg |
|--------------------------|-------------------------|----------------|-------------|-----------|
| CLH-EP | CLH-S | CLH-C | 0.4 | 0.2 |

Optional Open Loop Hangers

| Electro-polished model # | Stainless steel model # | Chrome model # | weight lbs. | weight kg |
|--------------------------|-------------------------|----------------|-------------|-----------|
| OLH-EP | OLH-S | OLH-C | 0.4 | 0.2 |

Replacement Hanger Tubes

Chrome finish.

| model # | length in. | length mm | weight lbs. | weight kg |
|---------|------------|-----------|-------------|-----------|
| CH24 | 24" | 610 | 1.5 | 0.7 |
| CH30 | 30" | 762 | 1.7 | 0.8 |
| CH36 | 36" | 914 | 2.2 | 1.0 |
| CH42 | 42" | 1067 | 2.7 | 1.2 |
| CH48 | 48" | 1219 | 3.2 | 1.5 |
| CH54 | 54" | 1372 | 3.5 | 1.6 |
| CH60 | 60" | 1524 | 3.8 | 1.7 |

Optional Wire Shelves

Chrome finish.

| model # | width in. | width mm | x length in. | x length mm | weight lbs. | weight kg |
|---------|-----------|----------|--------------|-------------|-------------|-----------|
| 1836C | 18" | 457 | 36" | 914 | 9 | 4.1 |
| 1848C | 18" | 457 | 48" | 1219 | 12 | 5.5 |
| 1860C | 18" | 457 | 60" | 1524 | 17 | 7.7 |

EAGLE GROUP

100 Industrial Boulevard, Clayton, DE 19938-8903 USA
 Phone: 302-653-3000 or 800-441-8440 • Fax: 302-653-2065
 www.eaglegrp.com • www.eaglehmc.com

Printed in U.S.A.
 ©2021 by Eagle Group

Rev. 09/21

Spec sheets available for viewing, printing or downloading from our online literature library at www.eaglegrp.com

Although every attempt has been made to ensure the accuracy of the information provided, we cannot be held responsible for typographical or printing errors. Information and specifications are subject to change without notice. Please confirm at time of order.