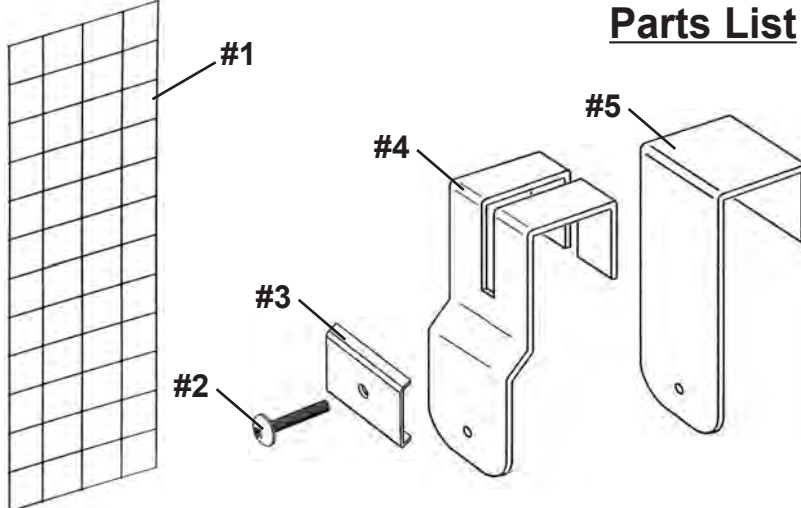


# LIFESTOR® Enclosure Panels

## INSTALLATION INSTRUCTIONS

### CAUTION

INSPECT CONTENTS IMMEDIATELY AND FILE CLAIM WITH DELIVERING CARRIER FOR ANY DAMAGE.  
**SAVE YOUR BOX AND ALL PACKING MATERIALS.**  
YOU ARE RESPONSIBLE FOR DAMAGE TO YOUR UNIT IF RETURNED IMPROPERLY PACKED.

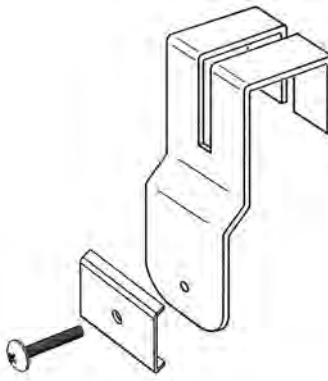


### Parts List

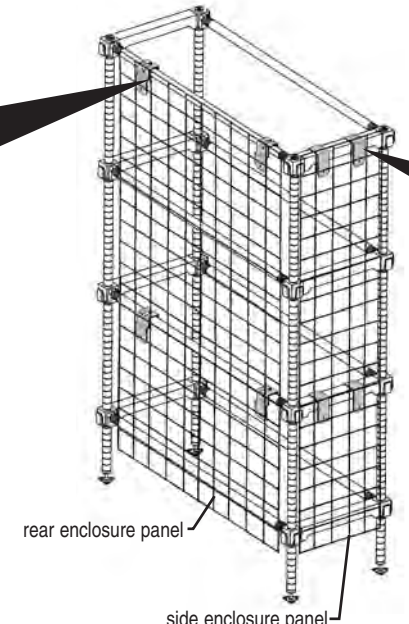
#	qty	part #	description
#1	*	*	enclosure panel
#2	4**	303197	8-32 x 1" screw
#3	4**	A200234	retaining clamp non-threaded
#4	4**	A213818	bracket (for rear of shelf unit)
#5	4**	A213819	bracket (for side of shelf unit)

\* Quantity and part number of enclosure panel vary per order.  
\*\* Quantities shown are number per each enclosure panel.

**Before installing enclosure panels:**  
LIFESTOR® unit must be assembled as shown below.

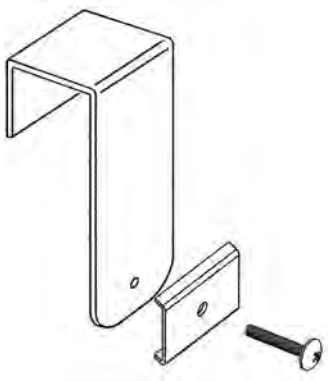


Brackets #A213818 are to be used with REAR enclosure panels.



rear enclosure panel

side enclosure panel



Brackets #A213819 are to be used with SIDE enclosure panels.

**(continued on back page)**

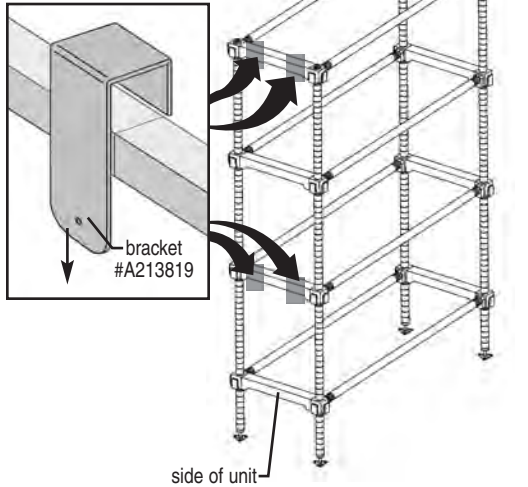
# LIFESTOR® Enclosure Panels

## INSTALLATION INSTRUCTIONS

### SIDE Panels

**Step 1 - Hook brackets #A213819 over front-to-back side braces.**

Two brackets per side brace.

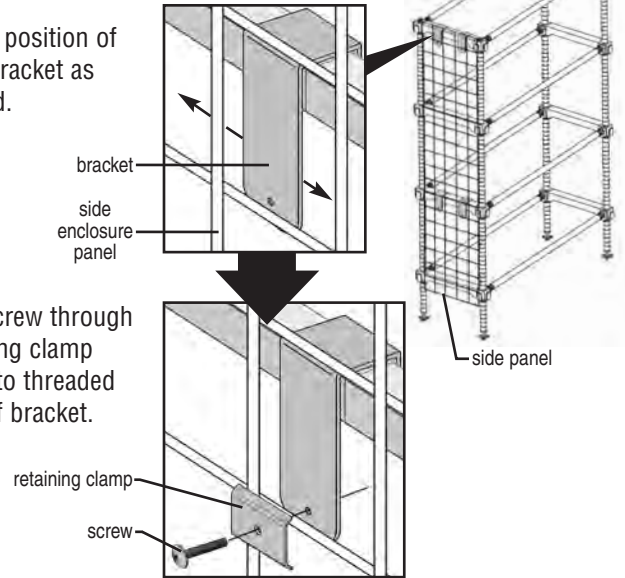


**Step 2 - Position side panel as shown, and secure with retaining clamps.**

Adjust position of each bracket as needed.

Run screw through retaining clamp and into threaded hole of bracket.

**(End)**

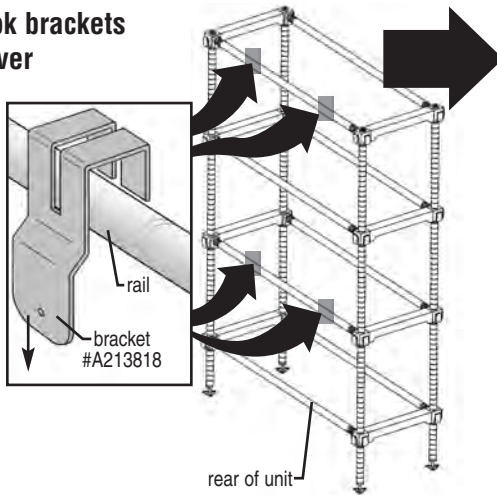


### REAR Panels

Please note: If LIFESTOR® shelves have already been installed onto unit, adjacent to where brackets will be located, shelves must be removed and set aside until brackets have been positioned (see **Step 2** below).

**Step 1 - Hook brackets #A213818 over side-to-side rails.**

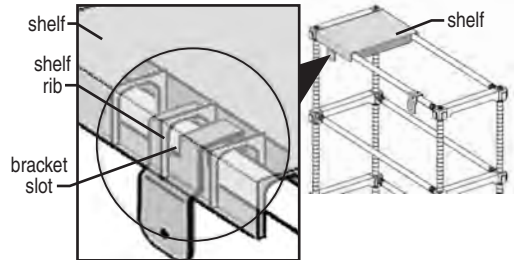
Two brackets per rail.



**Step 2 - Install shelves onto rail/brackets.**

Along the front and rear of each shelf section are a number of "ribs" underneath, which can interlock with each bracket's slot. To interlock...

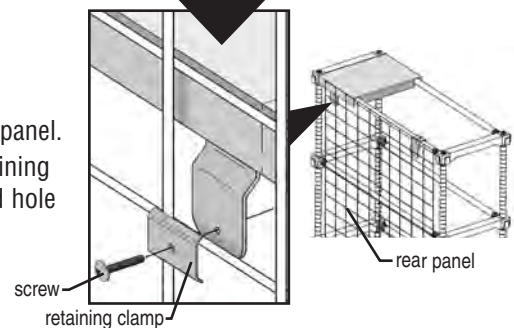
- Lay shelf section onto rail. At location of bracket, gently apply downward pressure on shelf.
- Adjust position of bracket as needed until shelf drops into bracket slot.



**Step 3 - Install rear enclosure panel.**

- Position rear enclosure panel.
- Run screw through retaining clamp and into threaded hole of bracket.

**(End)**



• 100 Industrial Boulevard, Clayton, Delaware 19938-9905 U.S.A. • [www.eaglegrp.com](http://www.eaglegrp.com)  
• Phone: 302/653-3000 • (Foodservice) 800/441-8440 • (MHC/Retail) 800/637-5100  
• Fax: 302/653-2065

Eagle Foodservice Equipment, Eagle MHC, SpecFAB®, and Retail Display are divisions of Eagle Group. ©2011 by the Eagle Group