

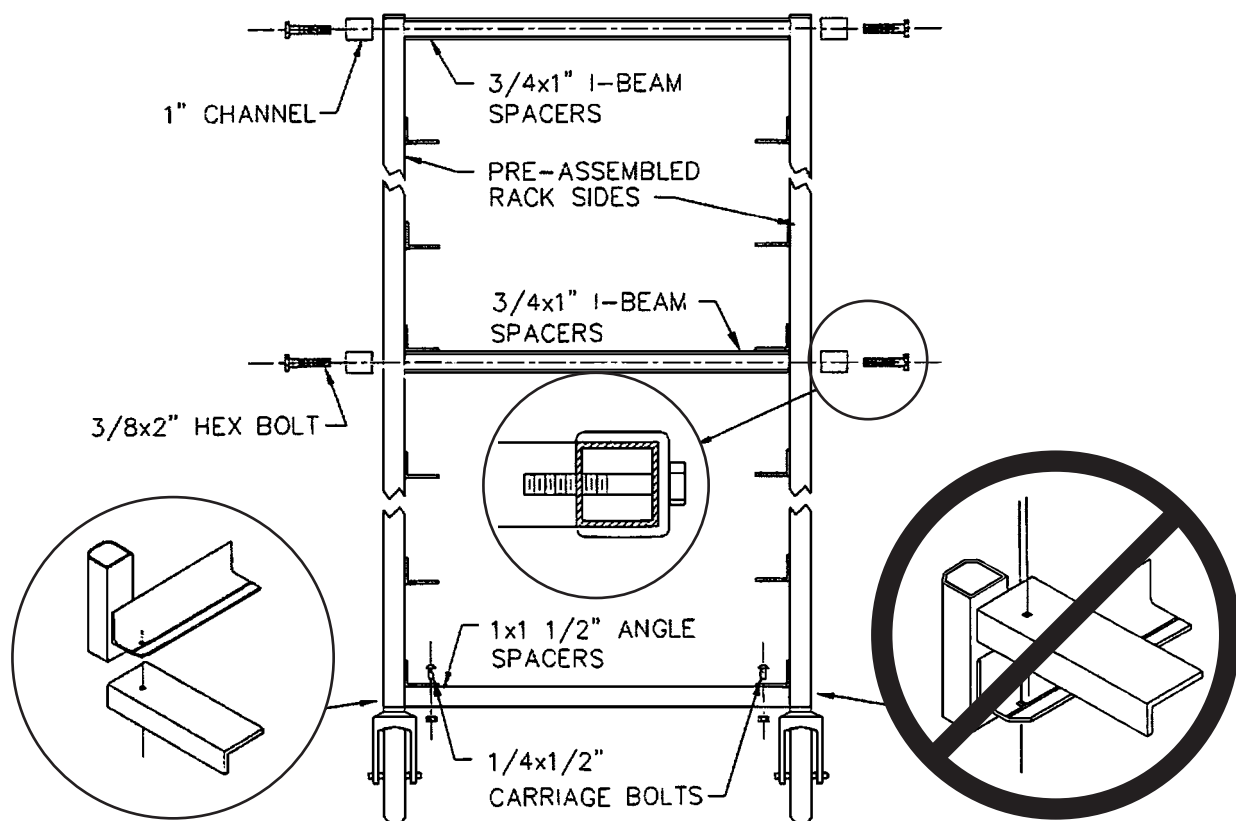
Knock-Down Bun Pan Racks

ASSEMBLY INSTRUCTIONS

CAUTION

INSPECT CONTENTS IMMEDIATELY AND FILE CLAIM WITH DELIVERING CARRIER FOR ANY DAMAGE.
SAVE YOUR BOX AND ALL PACKING MATERIALS.
YOU ARE RESPONSIBLE FOR DAMAGE TO YOUR UNIT IF RETURNED IMPROPERLY PACKED.

- Step 1** Choose a level area for assembly.
- Step 2** Lay out parts: (4) 3/4" x 1" I-Beam Spacers
(2) 1" x 1-1/2" Angle Spacers
(8) Pieces of 1" Channel, 1"-Long
(2) Pre-Assembled Rack Sides
(8) 3/8" x 2" Hex Bolts
(4) 1/4" x 1/2" Carriage Bolts & Nuts
- Step 3** Attach all bar and angle spacers to pre-assembled rack side
(Do not overtighten bolts).
- Step 4** Attach remaining pre-assembled rack side and tighten all bolts.
- Step 5** Install casters last. **(End)**



EG9870 Revised 06/10



• 100 Industrial Boulevard, Clayton, Delaware 19938-8903 U.S.A. • www.eaglegrp.com
• Phone: 302/653-3000 • (Foodservice) 800/441-8440 • (MHC/Retail) 800/637-5100
• Fax: 302/653-2065