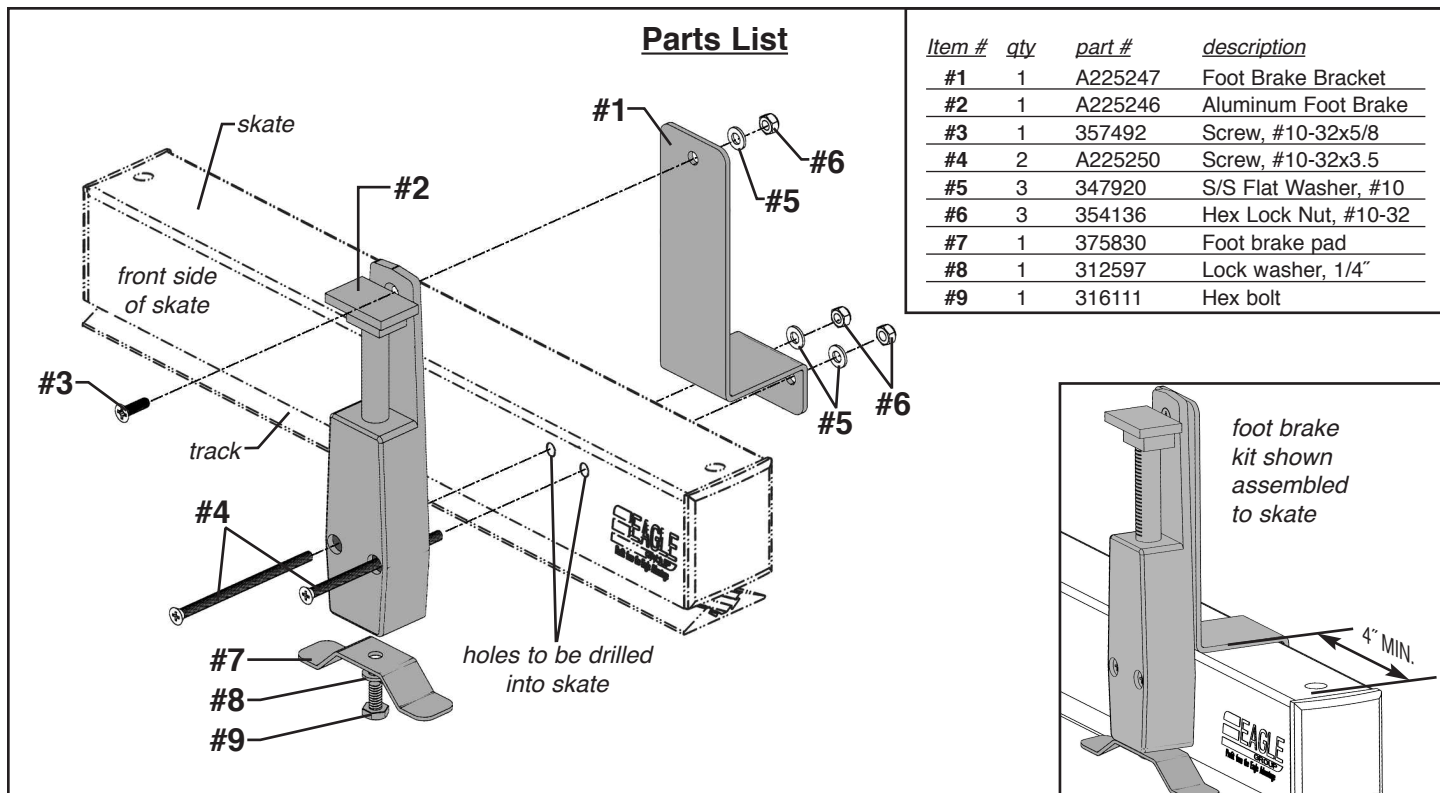


Foot Brake Kit for Floor-Trak®

ASSEMBLY INSTRUCTIONS

CAUTION

INSPECT CONTENTS IMMEDIATELY AND FILE CLAIM WITH DELIVERING CARRIER FOR ANY DAMAGE.
SAVE YOUR BOX AND ALL PACKING MATERIALS.
YOU ARE RESPONSIBLE FOR DAMAGE TO YOUR UNIT IF RETURNED IMPROPERLY PACKED.



Referring to illustration in Parts List (above), assemble brake kit as follows:

Step 1 - Drill holes into frontmost skate.

- Determine desired location of brake kit.
NOTE: Recommended 4" minimum from end of skate.
- Using holes of bracket (Item #1) as a guide, drill holes through both sides of skate, using 1/4" drill bit.
Set aside bracket.

Step 2 - Assemble foot brake and bracket to skate.

- Attach pad, washer, and bolt (Items #7, 8, 9) to foot brake as shown in illustration above.
- On front side of skate, position holes of foot brake (Item #2) with holes drilled into skate.
- On rear side of skate, position holes of bracket (Item #1) with holes drilled into skate.
- Install 3.5"-long screws (Item #4) through holes, and fasten with washers (Item #5) and lock nuts (Item #6).
- Run short screw (Item #3) through remaining topmost hole, joining foot brake to bracket, and fasten with washer (Item #5) and lock nut (Item #6).

(End)

EG9863 Revised 03/12