

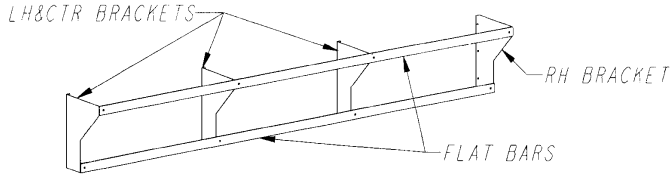
Wall Mounted Pot Rack

ASSEMBLY INSTRUCTIONS

CAUTION

INSPECT CONTENTS IMMEDIATELY AND FILE CLAIM WITH DELIVERING CARRIER FOR ANY DAMAGE.

SAVE YOUR BOX AND ALL PACKING MATERIALS.
YOU ARE RESPONSIBLE FOR DAMAGE TO YOUR UNIT IF RETURNED IMPROPERLY PACKED.



Note: Depending on length purchased, the pot rack will have 2, 3, or 4 wall brackets.

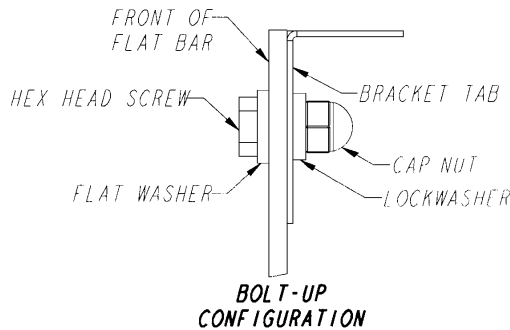


figure 1

Length	A	B	C
36"	N/A	N/A	35.000
48"	N/A	N/A	47.000
60"	N/A	N/A	59.000
72"	N/A	36.000	35.000
84"	N/A	42.000	41.000
96"	N/A	48.000	47.000
108"	36.3125	35.375	35.3125
120"	40.3125	39.375	39.3125
134"	44.3125	43.375	43.3125
144"	48.3125	47.375	47.3125

chart A

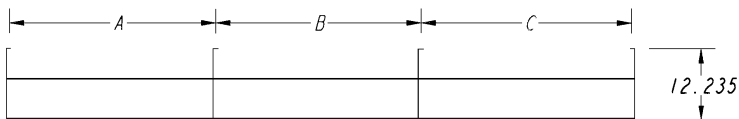


figure 2

Parts

	36"	48"	60"	72"	84"	96"	108"	120"	134"	144"
Flat Bars	2	2	2	2	2	2	2	2	2	2
Left Bracket	1	1	1	2	2	2	3	3	3	3
Right Bracket	1	1	1	1	1	1	1	1	1	1
Screw	4	4	4	6	6	6	8	8	8	8
Flat Washer	4	4	4	6	6	6	8	8	8	8
Lock Washer	4	4	4	6	6	6	8	8	8	8
Cap nut	4	4	4	6	6	6	8	8	8	8

1 Flat Bars

Attach flat bar to front of all brackets with hardware, as shown in *figure 1*. Hand tighten cap nuts until all flat bars are installed.

2 Mounting

Square flat bars with wall brackets and tighten screws. Mount to wall. Refer to *chart A* and *figure 2* for bracket mounting locations.

Note: Wall mounted units must be attached to a properly constructed and sound wall. For walls constructed of wood or steel studs, the mounting points must be directly on the stud or suitable in-wall-grounds of plywood or sheet metal. Eagle Group can not be held responsible for the failure of the device or any other devices due to improper installation.