

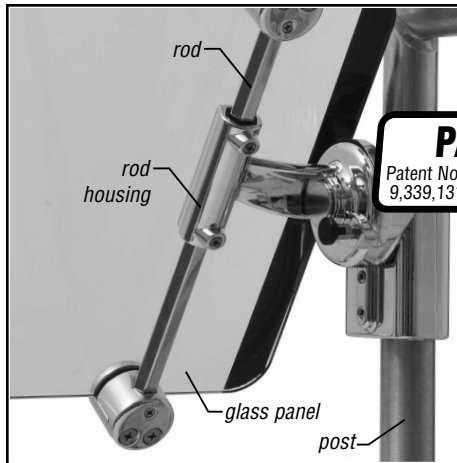


Profit from the Eagle Advantage®

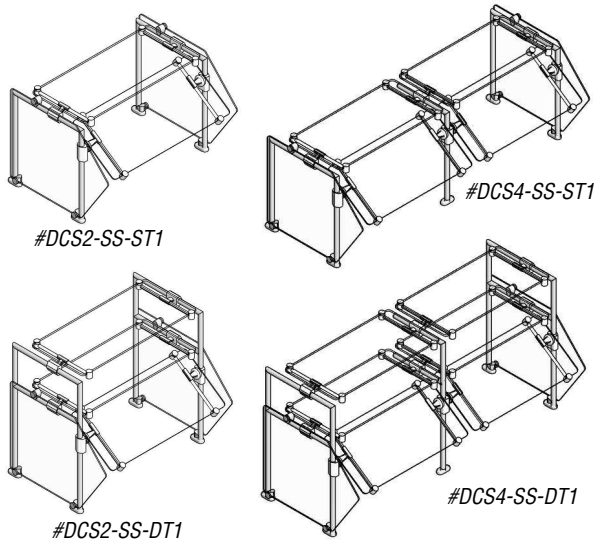
Specification Sheet

Short Form Specifications

Eagle Group Spec-SHIELD™ Self-Service Food Guard, model # _____. Self-service food shield designed to meet NSF requirements. Front allows maximum customer access to the food product while maximizing protection. Rear allows full access by the kitchen staff for replenishing product. Available in single or double tier models.



PATENTED
Patent Nos. 9,538,868; 9,516,958;
9,339,131; 9,326,621; 9,723,935



Item No.: _____
Project No.: _____
S.I.S. No.: _____

Spec-SHIELD™ Self-Service Food Guards

MODELS:

- DCS2-SS-ST1
- DCS3-SS-ST1
- DCS4-SS-ST1
- DCS5-SS-ST1
- DCS6-SS-ST1
- DCS2-SS-DT1
- DCS3-SS-DT1
- DCS4-SS-DT1
- DCS5-SS-DT1
- DCS6-SS-DT1

Design and Construction Features

- No holes in glass panels allows for flexibility in mounting locations
- Front glass is adjustable vertically and may be rotated on 18° increments
- Top glass is adjustable horizontally.
- 1" stainless steel posts
- Mounting plates are cast aluminum with stainless steel covers
- Die cast aluminum with chrome finish brackets
- 3/4" radius corners on all glass panels
- Top glass is 3/8" thick
- Front glass is 1/4" thick. Optional 3/8" thick. Required for spans over 54".
- End glass included
- Units 60" and longer require mid post

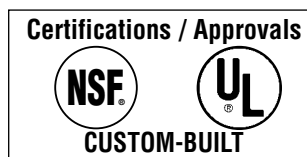
Options / Accessories

- Heat lamps
- Lights
- 3 3/8" round mounting plate
- 3" Oval mounting plate
- 3" Oval offset mounting plate
- 2" x 8" rectangular mounting plate
- 3-point anchor
- Custom lengths available

EAGLE GROUP
100 Industrial Boulevard, Clayton, DE 19938-8903 USA
Phone: 302-653-3000 • Fax: 302-653-2065
www.eaglegrp.com

Foodservice Division: Phone 800-441-8440
MHC/Retail Display Divisions: Phone 800-637-5100

For custom configuration or fabrication needs, contact our **SpecFAB® Division**.
Phone: 302-653-3000 • Fax: 302-653-2065 • e-mail: quotes@eaglegrp.com



EG33.24A Rev. 05/18

Spec sheets available for viewing, printing or downloading from our online literature library at www.eaglegrp.com

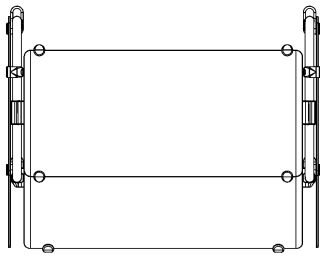
Eagle Foodservice Equipment, Eagle MHC, SpecFAB®, and Retail Display are divisions of Eagle Group. ©2018 by the Eagle Group



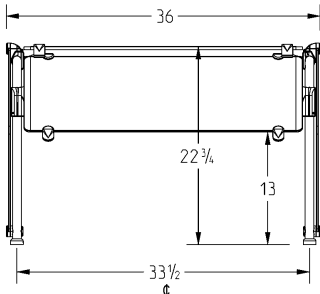
Item No.: _____
 Project No.: _____
 S.I.S. No.: _____

Spec-SHIELD™ Self-Service Food Guards

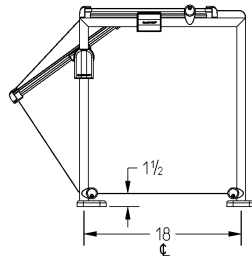
Single-Tier



TOP VIEW



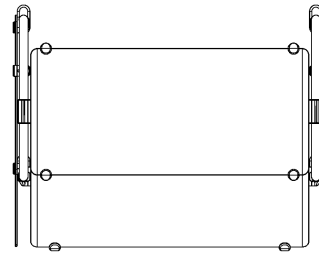
FRONT VIEW



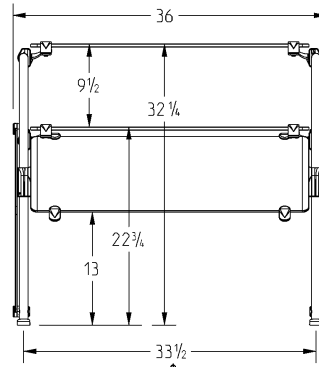
SIDE VIEW

(model #DCS2-SS-ST1 shown)

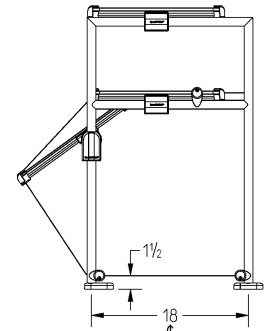
Double-Tier



TOP VIEW



FRONT VIEW



SIDE VIEW

(model #DCS2-SS-DT1 shown)

(note: 36-inch models shown)

Self-Service Food Guards

fits Series	# of legs	length		SINGLE-TIER	DOUBLE-TIER
		in.	mm	model #	model #
DCS2	2	36"	914	DCS2-SS-ST1	DCS2-SS-DT1
DCS3	2	50"	1270	DCS3-SS-ST1	DCS3-SS-DT1
DCS4	3	64"	1626	DCS4-SS-ST1*	DCS4-SS-DT1*
DCS5	3	78"	1981	DCS5-SS-ST1*	DCS5-SS-DT1*
DCS6	3	96"	2438	DCS6-SS-ST1*	DCS6-SS-DT1*

* Unit comes with mid support post.

EAGLE GROUP
 100 Industrial Boulevard, Clayton, DE 19938-8903 USA
 Phone: 302-653-3000 • Fax: 302-653-2065
 www.eaglegrp.com

Foodservice Division: Phone 800-441-8440
 MHC/Retail Display Divisions: Phone 800-637-5100

Printed in U.S.A.
 ©2018 by Eagle Group

Rev. 05/18

Spec sheets available for viewing, printing or downloading from our online literature library at www.eaglegrp.com

Although every attempt has been made to ensure the accuracy of the information provided, we cannot be held responsible for typographical or printing errors. Information and specifications are subject to change without notice. Please confirm at time of order.