



Profit from the Eagle Advantage®

Specification Sheet

Short Form Specifications

Eagle Open Base Solid Top Unit, model _____. Top is 16 gauge type 430 stainless steel. Heavy gauge stainless steel body. Galvanized adjustable undershelf with 1½" O.D. galvanized tubular legs. Stationary units feature adjustable stainless steel bullet feet. Portable units come with stainless steel push handle and 4"-diameter casters—two with brakes.



stationary unit

Item No.:	_____
Project No.:	_____
S.I.S. No.:	_____

Solid Top Units—Open Base

MODELS:

- | | |
|--------------------------------|---------------------------------|
| <input type="checkbox"/> ST-3 | <input type="checkbox"/> PST-3 |
| <input type="checkbox"/> SST-3 | <input type="checkbox"/> SPST-3 |
| <input type="checkbox"/> ST-4 | <input type="checkbox"/> PST-4 |
| <input type="checkbox"/> SST-4 | <input type="checkbox"/> SPST-4 |
| <input type="checkbox"/> ST-5 | <input type="checkbox"/> PST-5 |
| <input type="checkbox"/> SST-5 | <input type="checkbox"/> SPST-5 |

Construction

- Top is constructed of 16 gauge 430 series stainless steel, flanged down over 22 gauge 430 series stainless body.
- Legs are constructed of 1½" (42mm) O.D. galvanized tubing.
- Undershelf constructed of 18 gauge galvanized steel.

Design

- Stationary models have adjustable stainless steel bullet feet.
- Portable models have 4" (102mm)-diameter swivel casters (two with brake) and stainless steel push handle.
- Portable units include drop brackets.

Options / Accessories

- | | |
|---|---|
| <input type="checkbox"/> Spillage pans | <input type="checkbox"/> Dish shelf |
| <input type="checkbox"/> Bolted-in undershelf | <input type="checkbox"/> Buffet shelf with sneeze guard |
| <input type="checkbox"/> Casters | <input type="checkbox"/> 8" (203mm) cutting board |
| <input type="checkbox"/> Overshelves | |
| <input type="checkbox"/> Tray slide/shelf | |

EAGLE GROUP

100 Industrial Boulevard, Clayton, DE 19938-8903 USA
 Phone: 302-653-3000 • 800-441-8440 • Fax: 302-653-2065
www.eaglegrp.com
www.eaglegrpnews.com
www.eaglemhc.com

For custom configuration or fabrication needs, contact our **SpecFAB® Division**.
 Phone: 302-653-3000 • Fax: 302-653-2065 • e-mail: quotes@eaglegrp.com



EG30.14 Rev. 02/23

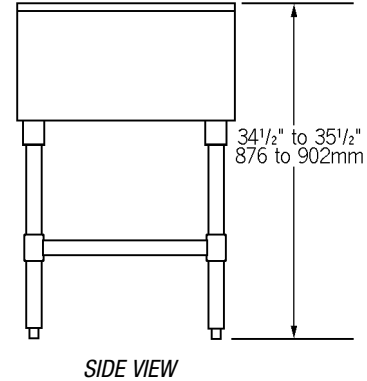
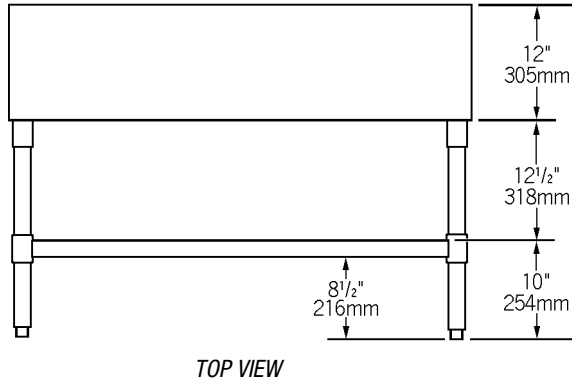
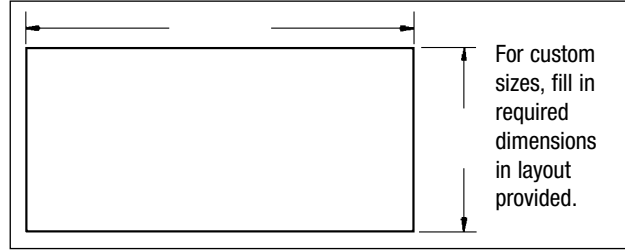
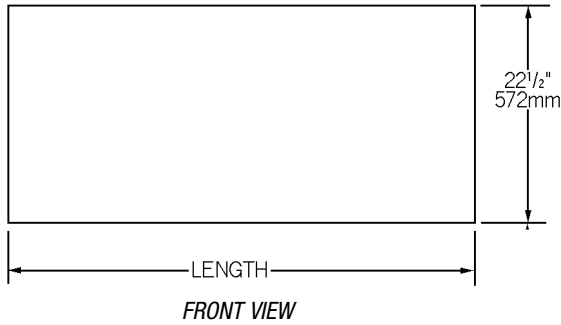
Spec sheets available for viewing, printing or downloading from our online literature library at our websites

Eagle Foodservice Equipment, Eagle MHC, and SpecFAB® are divisions of Eagle Group. ©2023 by the Eagle Group



Item No.: _____
 Project No.: _____
 S.I.S. No.: _____

Solid Top Units—Open Base



(Note: Stationary unit shown)

WITH GALVANIZED LEGS & UNDERSHELF		WITH STAINLESS STEEL LEGS & UNDERSHELF		stationary or portable	weight		length		weight	
model #	model #	in.	mm		in.	mm	lbs.	kg		
ST-3	SST-3	22 1/2"	572	stationary	48"	1219	83	37.6		
PST-3	SPST-3	22 1/2"	572	portable	50 1/2"	1283	89	40.4		
ST-4	SST-4	22 1/2"	572	stationary	63 1/2"	1613	102	46.3		
PST-4	SPST-4	22 1/2"	572	portable	66"	1676	108	49.0		
ST-5	SST-5	22 1/2"	572	stationary	79"	2007	123	55.8		
PST-5	SPST-5	22 1/2"	572	portable	81 1/2"	2070	129	58.5		

EAGLE GROUP
 100 Industrial Boulevard, Clayton, DE 19938-8903 USA
 Phone: 302-653-3000 or 800-441-8440 • Fax: 302-653-2065
 www.eaglegrp.com • www.eaglegrpnews.com • www.eaglehmc.com

Printed in U.S.A.
 ©2023 by Eagle Group

Rev. 02/23

Spec sheets available for viewing, printing or downloading from our online literature library at our websites

Although every attempt has been made to ensure the accuracy of the information provided, we cannot be held responsible for typographical or printing errors. Information and specifications are subject to change without notice. Please confirm at time of order.