



Profit from the Eagle Advantage®

# Specification Sheet

## Short Form Specifications

Eagle Hot Food Tables, open base design, model \_\_\_\_\_ . Top and body are heavy gauge type 430 stainless steel, with top being removable for cleaning or replacement. All top openings sized to accommodate 12" x 20" steam table pans. Water pan is all-welded 16/304 stainless steel with recessed well to house copper sheathed immersion heater (3000 - 5000 watt heater), with 1½" diameter brass drain assembly. Thermostat temperature control, automatic low water cutoff, with built-in manual reset button. Polyethylene 8" wide cutting board and stainless steel dish shelf provided. Wiring to terminate in J-Box and requires field wiring. Legs are 1½" O.D., galvanized tubing, with galvanized adjustable undershelf and adjustable stainless steel bullet feet.



#WT3-240 unit

## Options / Accessories

- Bolted-in undershelf
- Food pans/insets
- Overshelves
- Tray slides/shelf
- Dish shelf
- Stainless steel legs
- Rolltop cover
- Hardwood cutting board
- AutoFill® automatic water fill system

See Catalog Sheet #EG30.18 for information on optional Flex-Master® overshelves

## EAGLE GROUP

100 Industrial Boulevard, Clayton, DE 19938-8903 USA  
Phone: 302-653-3000 • 800-441-8440 • Fax: 302-653-2065  
www.eaglegrp.com  
www.eaglegrpnews.com  
www.eaglemhc.com

For custom configuration or fabrication needs, contact our SpecFAB® Division.  
Phone: 302-653-3000 • Fax: 302-653-2065 • e-mail: quotes@eaglegrp.com

Item No.:	_____
Project No.:	_____
S.I.S. No.:	_____

# Electric Water Bath Steam Tables —Open Base

## MODELS:

- |                                  |                                  |                                   |                                   |
|----------------------------------|----------------------------------|-----------------------------------|-----------------------------------|
| <input type="checkbox"/> WT2-208 | <input type="checkbox"/> WT4-208 | <input type="checkbox"/> SWT2-208 | <input type="checkbox"/> SWT4-208 |
| <input type="checkbox"/> WT2-240 | <input type="checkbox"/> WT4-240 | <input type="checkbox"/> SWT2-240 | <input type="checkbox"/> SWT4-240 |
| <input type="checkbox"/> WT3-208 | <input type="checkbox"/> WT5-208 | <input type="checkbox"/> SWT3-208 | <input type="checkbox"/> SWT5-208 |
| <input type="checkbox"/> WT3-240 | <input type="checkbox"/> WT5-240 | <input type="checkbox"/> SWT3-240 | <input type="checkbox"/> SWT5-240 |

## Construction

- Table body and top constructed of highly polished 20 gauge 430 series stainless steel.
- Top is die-stamped beaded openings measuring 12½" x 20½" (307 x 510mm).
- A poly cutting board, 8" (203mm) wide and ½" (13mm) thick, is mounted on stainless steel brackets located on control side of unit.
- Cutting board and stainless steel dish shelf are standard on all models.
- Legs are 1½" (42mm) O.D. galvanized tubing fitted with adjustable stainless steel feet.
- Undershelf is constructed of galvanized steel.

## Water pan

- 16 gauge 304 series stainless steel all seamless welded construction with recessed well to accommodate immersion heater and 1½" (38mm)-diameter brass drain assembly.

## Immersion heater

- Copper-sheathed 3000- to 5000-watt heater (depending on model). Thermostatic temperature control.

## Automatic low water cutoff

- Complete with built-in manual reset button feature.

## Wiring

- All wiring terminates within junction box adjacent to control, and requires field wiring (all units are listed by Underwriters Laboratories).
- All units are designed for field wiring by others.

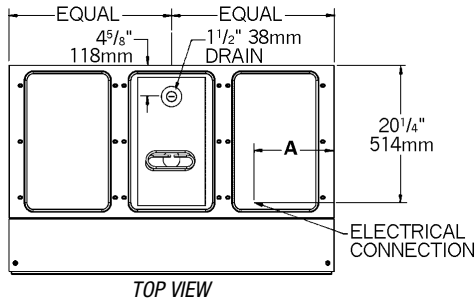
Certifications / Approvals

New York MEA 376-84-E

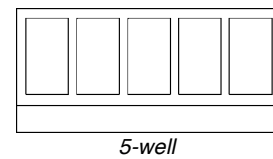
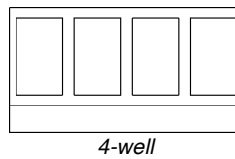
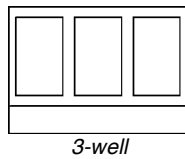
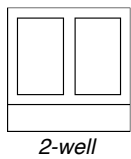
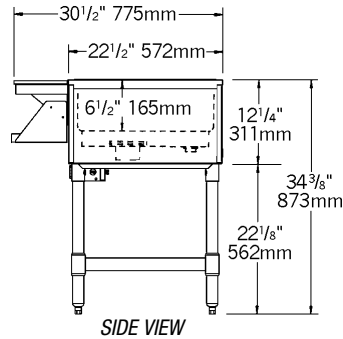
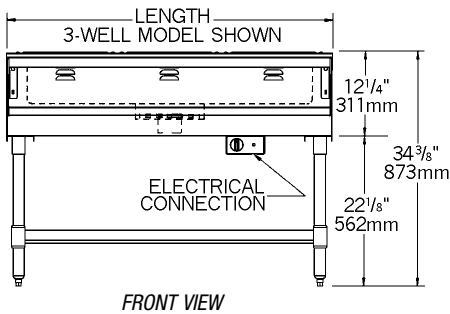


Item No.: \_\_\_\_\_  
 Project No.: \_\_\_\_\_  
 S.I.S. No.: \_\_\_\_\_

## Electric Water Bath Steam Tables—Open Base



Dimension A	
2 well	7 7/8" (187mm)
3 well	11 5/8" (1219mm)
4 well	15 5/8" (1613mm)
5 well	23 3/8" (2007mm)



WITH GALVANIZED LEGS & UNDERSHELF model #	WITH STAINLESS STEEL LEGS & UNDERSHELF model #	# of top openings	electrical data	length in. mm	weight lbs. kg
WT2-208	SWT2-208	2	3000W, 208V, 14.4A	33" 838	94 42.6
WT2-240	SWT2-240	2	3000W, 240V, 12.5A	33" 838	94 42.6
WT3-208	SWT3-208	3	3000W, 208V, 14.4A	48" 1219	125 56.7
WT3-240	SWT3-240	3	3000W, 240V, 12.5A	48" 1219	125 56.7
WT4-208	SWT4-208	4	4000W, 208V, 19.2A	63 1/2" 1613	199 90.3
WT4-240	SWT4-240	4	4000W, 240V, 16.7A	63 1/2" 1613	199 90.3
WT5-208	SWT5-208	5	5000W, 208V, 24.1A	79" 2007	255 115.7
WT5-240	SWT5-240	5	5000W, 208V, 20.8A	79" 2007	255 115.7

### FLEX-MASTER® Overshelf Kits

Both kits include two 16/304 overshelves and four 30" (762mm) posts. Add suffix specified to order kit (example: DHT2-120-FMU), or design your own using standard components from EG30.18.

description	add suffix
10" (254mm) overshelves	-FM
15" (381mm) overshelves, plus one ladle rack	-FMU

### EAGLE GROUP

100 Industrial Boulevard, Clayton, DE 19938-8903 USA

Phone: 302-653-3000 or 800-441-8440 • Fax: 302-653-2065

www.eaglegrp.com • www.eaglegrpnews.com • www.eaglehmc.com

Printed in U.S.A.  
 ©2023 by Eagle Group

Rev. 02/23

Spec sheets available for viewing, printing or downloading from our online literature library at our websites

Although every attempt has been made to ensure the accuracy of the information provided, we cannot be held responsible for typographical or printing errors. Information and specifications are subject to change without notice. Please confirm at time of order.