



Profit from the Eagle Advantage®

Specification Sheet

Short Form Specifications

Eagle Spec-Master® One-Compartment Sinks, model _____ . Unit constructed of 14 gauge 300 series, 18-8 stainless steel throughout. Sink bowls covered with a full 5/8" radius, and shall have a 14" water level. Drainboards, when required, shall be "V" creased for positive drainage. 9 1/2" high backsplash with 1" upturn and tile edge. Legs to be 1 1/2" O.D., stainless steel, with stainless steel gussets, stainless steel crossbracing and adjustable stainless steel bullet feet.



one-compartment FN sink

Options / Accessories

- Lever drain
- Lever drain with overflow
- Twist handle drains
- Overflow hole
- Sink kits
- Faucets
- Polyboard sink covers
- Stainless steel sink covers

Assembly:

- Entire assembly is fuse-welded and planished, providing a one-piece seamless sink unit.
- Welded areas are high-speed belt blended to match adjacent surfaces with continuity of satin finish.
- All outside corners of assembly are bullnosed to provide safe, clean edges.
- Water supply is 1/2" (13mm) NPS for hot and cold lines.

EAGLE GROUP

100 Industrial Boulevard, Clayton, DE 19938-8903 USA
Phone: 302-653-3000 • 800-441-8440 • Fax: 302-653-2065
www.eaglegrp.com
www.eaglehmc.com

For custom configuration or fabrication needs, contact our SpecFAB® Division.
Phone: 302-653-3000 • Fax: 302-653-2065 • e-mail: quotes@eaglegrp.com

Item No.: _____
 Project No.: _____
 S.I.S. No.: _____

Spec-Master® FN Series Coved Corner One-Compartment Sinks

MODELS:

- FN2016-1-* FN2424-1-*
- FN2018-1-* FN2820-1-*
- FN2020-1-*

* See chart on back for complete model numbers.

Top:

- Drainboards, backsplash and rolled rims are 14 gauge 300 series stainless steel.
- Drainboards, when provided, are integrally welded.
- All rolled edges are highlighted for enhanced appearance.
- 9 1/2" high backsplash with 1" upturn and tile edge.
- 1 1/8" (29mm) faucet holes punched on 8" (203mm) centers.

Base:

- Legs: 1 1/2" (41mm)-diameter stainless steel tubing with stainless steel gussets and fully adjustable stainless steel bullet feet.
- Crossbracing: Adjustable, 1 1/4" (32mm)-diameter stainless steel; running left-to-right and front-to-back.
- Leg locations fall directly under sink bowl*, providing increased stability and maximum weight support.
- Leg gussets welded to a die-cut heavy-gauge stainless steel reinforcing corner plate.
- Legs are crossbraced on all sides for increased stability.

Sink Bowl:

- 14 gauge 300 series stainless steel.
- 14" (356mm) water level, 17" (432mm) flood level.
- Sink compartment coved on a full 5/8" (41mm) radius and constructed using state-of-the-art seamless welding techniques.
- Basket-type waste drain fits sink bowl's 3 1/2" (89mm) opening and features 1 1/2" (38mm) outlet.

* On sinks with drainboard(s) 30" or longer, legs are located underneath the outer end of drainboard(s).

Certifications / Approvals



AutoQuotes



EG20.32 Rev. 09/24

Spec sheets available for viewing, printing or downloading from our online literature library at our websites

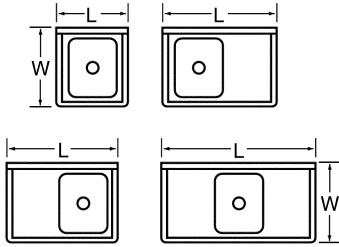
Eagle Foodservice Equipment, Eagle MHC, and SpecFAB® are divisions of Eagle Group. ©2024 by the Eagle Group



Profit from the Eagle Advantage®

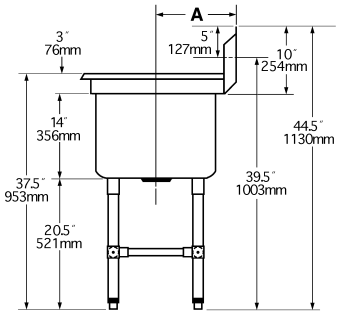
Item No.: _____
 Project No.: _____
 S.I.S. No.: _____

Spec-Master® FN Series Coved Corner One-Compartment Sinks



Drain location for rough-in

bowl width	bowl length	Dimension A	
in. mm	in. mm	in.	mm
20" 508	16" 406	14"	356
20" 508	18" 457	14"	356
20" 508	20" 508	14"	356
24" 610	24" 610	16"	406
28" 711	20" 508	18"	457



model #	BOWL DIMENSIONS				quantity	DRAINBOARD		OVERALL DIMENSIONS				weight	
	width		length			length		width		length		lbs.	kg
	in.	mm	in.	mm		in.	mm	in.	mm	in.	mm		
FN2016-1-14/3	20"	508	16"	406	0	-	-	27"	686	21"	533	55	24.9
FN2016-1-18R or L-14/3	20"	508	16"	406	1	18"	457	27"	686	37 1/2"	953	68	30.9
FN2016-1-18-14/3	20"	508	16"	406	2	18"	457	27"	686	54"	1372	93	37.6
FN2016-1-24R or L-14/3	20"	508	16"	406	1	24"	610	27"	686	43 1/2"	1105	80	33.1
FN2016-1-24-14/3	20"	508	16"	406	2	24"	610	27"	686	66"	1676	113	51.3
FN2016-1-30R or L-14/3	20"	508	16"	406	1	30"	762	27"	686	49 1/2"	1257	113	51.3
FN2016-1-30-14/3	20"	508	16"	406	2	30"	762	27"	686	78"	1981	209	94.8
FN2016-1-36R or L-14/3	20"	508	16"	406	1	36"	914	27"	686	55 1/2"	1410	156	70.8
FN2016-1-36-14/3	20"	508	16"	406	2	36"	914	27"	686	90"	2286	212	96.2
FN2018-1-14/3	20"	508	18"	457	0	-	-	27"	686	23"	584	58	26.3
FN2018-1-18R or L-14/3	20"	508	18"	457	1	18"	457	27"	686	39 1/2"	1003	76	34.4
FN2018-1-18-14/3	20"	508	18"	457	2	18"	457	27"	686	56"	1422	96	43.5
FN2018-1-24R or L-14/3	20"	508	18"	457	1	24"	610	27"	686	45 1/2"	1156	81	36.7
FN2018-1-24-14/3	20"	508	18"	457	2	24"	610	27"	686	68"	1727	161	73.0
FN2018-1-30R or L-14/3	20"	508	18"	457	1	30"	762	27"	686	51 1/2"	1308	156	70.8
FN2018-1-30-14/3	20"	508	18"	457	2	30"	762	27"	686	80"	2032	118	53.5
FN2018-1-36R or L-14/3	20"	508	18"	457	1	36"	914	27"	686	57 1/2"	1464	163	74.0
FN2018-1-36-14/3	20"	508	18"	457	2	36"	914	27"	686	92"	2337	215	97.5
FN2020-1-14/3	20"	508	20"	508	0	-	-	27"	686	25"	635	60	27.2
FN2020-1-18R or L-14/3	20"	508	20"	508	1	18"	457	27"	686	41 1/2"	1054	138	62.6
FN2020-1-18-14/3	20"	508	20"	508	2	18"	457	27"	686	58"	1473	167	75.8
FN2020-1-24R or L-14/3	20"	508	20"	508	1	24"	610	27"	686	47 1/2"	1207	144	65.3
FN2020-1-24-14/3	20"	508	20"	508	2	24"	610	27"	686	70"	1778	184	83.5
FN2020-1-30R or L-14/3	20"	508	20"	508	1	30"	762	27"	686	53 1/2"	1359	157	71.2
FN2020-1-30-14/3	20"	508	20"	508	2	30"	762	27"	686	82"	2083	168	76.2
FN2020-1-36R or L-14/3	20"	508	20"	508	1	36"	914	27"	686	59 1/2"	1511	179	81.2
FN2020-1-36-14/3	20"	508	20"	508	2	36"	914	27"	686	94"	2388	219	99.3
FN2424-1-14/3	24"	610	24"	610	0	-	-	31"	787	29"	737	122	55.3
FN2424-1-18R or L-14/3	24"	610	24"	610	1	18"	457	31"	787	45 1/2"	1156	145	65.8
FN2424-1-18-14/3	24"	610	24"	610	2	18"	457	31"	787	62"	1575	182	82.6
FN2424-1-24R or L-14/3	24"	610	24"	610	1	24"	610	31"	787	51 1/2"	1308	151	68.5
FN2424-1-24-14/3	24"	610	24"	610	2	24"	610	31"	787	74"	1880	182	82.6
FN2424-1-30R or L-14/3	24"	610	24"	610	1	30"	762	31"	787	57 1/2"	1461	165	74.8
FN2424-1-30-14/3	24"	610	24"	610	2	30"	762	31"	787	86"	2184	176	79.8
FN2424-1-36R or L-14/3	24"	610	24"	610	1	36"	914	31"	787	63 1/2"	1613	187	84.8
FN2424-1-36-14/3	24"	610	24"	610	2	36"	914	31"	787	98"	2489	220	99.8
FN2820-1-14/3	28"	711	20"	508	0	-	-	35"	889	25"	635	79	35.8
FN2820-1-18R or L-14/3	28"	711	20"	508	1	18"	457	35"	889	41 1/2"	1054	101	45.8
FN2820-1-18-14/3	28"	711	20"	508	2	18"	457	35"	889	58"	1473	117	53.1
FN2820-1-24R or L-14/3	28"	711	20"	508	1	24"	610	35"	889	47 1/2"	1207	114	51.7
FN2820-1-24-14/3	28"	711	20"	508	2	24"	610	35"	889	70"	1778	166	75.3
FN2820-1-30R or L-14/3	28"	711	20"	508	1	30"	762	35"	889	53 1/2"	1359	182	82.6
FN2820-1-30-14/3	28"	711	20"	508	2	30"	762	35"	889	82"	2083	191	86.6
FN2820-1-36R or L-14/3	28"	711	20"	508	1	36"	914	35"	889	59 1/2"	1511	189	85.7
FN2820-1-36-14/3	28"	711	20"	508	2	36"	914	35"	889	94"	2388	226	102.5

EAGLE GROUP

100 Industrial Boulevard, Clayton, DE 19938-8903 USA

Phone: 302-653-3000 or 800-441-8440 • Fax: 302-653-2065

www.eaglegrp.com • www.eaglehmc.com

Printed in U.S.A.

©2024 by Eagle Group

Rev. 09/24

Spec sheets available for viewing, printing or downloading from our online literature library at our websites

Although every attempt has been made to ensure the accuracy of the information provided, we cannot be held responsible for typographical or printing errors. Information and specifications are subject to change without notice. Please confirm at time of order.