

Hand Sink Display

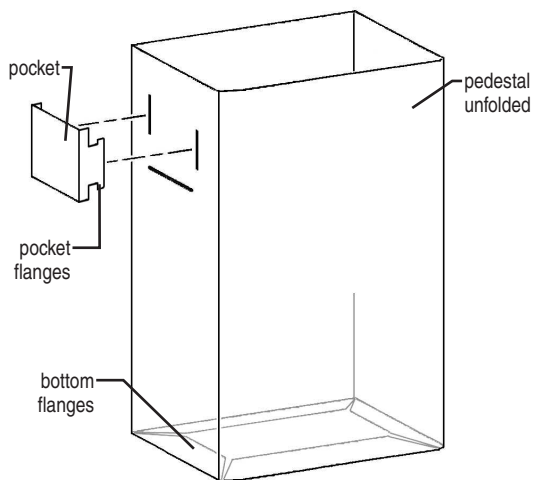
ASSEMBLY INSTRUCTIONS

CAUTION

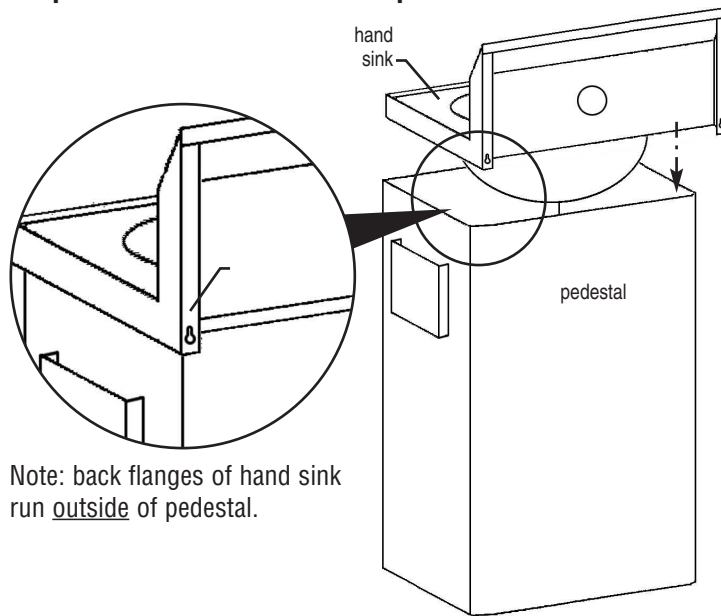
INSPECT CONTENTS IMMEDIATELY AND FILE CLAIM WITH DELIVERING CARRIER FOR ANY DAMAGE.
SAVE YOUR BOX AND ALL PACKING MATERIALS.
 YOU ARE RESPONSIBLE FOR DAMAGE TO YOUR UNIT IF RETURNED IMPROPERLY PACKED.

Step 1 - Prepare the pedestal.

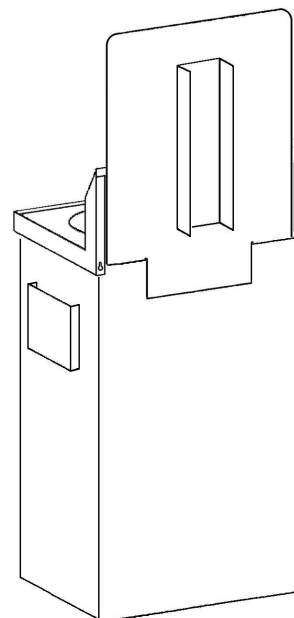
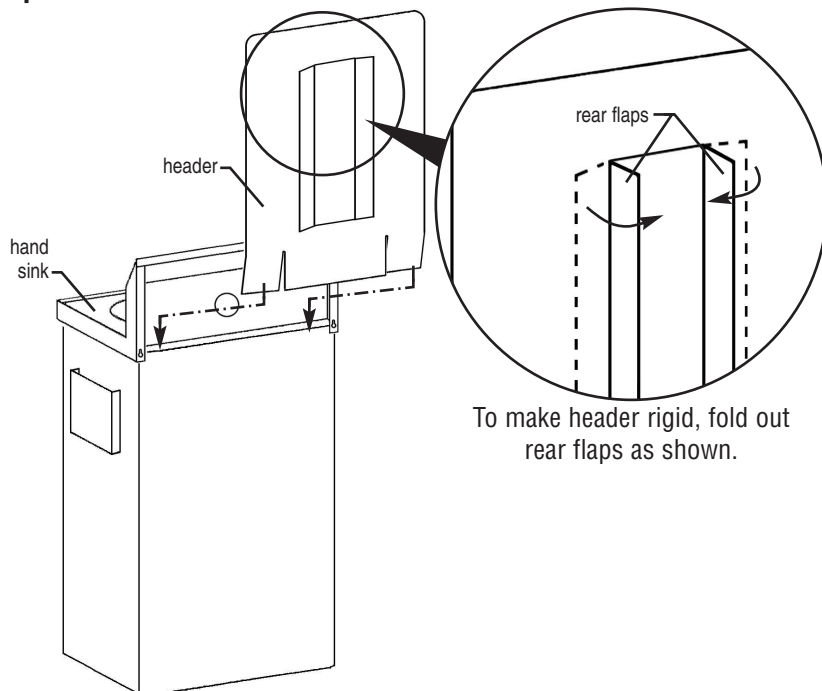
- Unfold pedestal and stand upright.
- Bend the bottom flanges inward as shown.
- Insert pocket into slots as shown, then fold pocket flanges to lock pocket into place.



Step 2 - Set hand sink inside pedestal.



Step 3 - Install header.



Assembly is complete.

(End)

EG10063 Revised 12/06