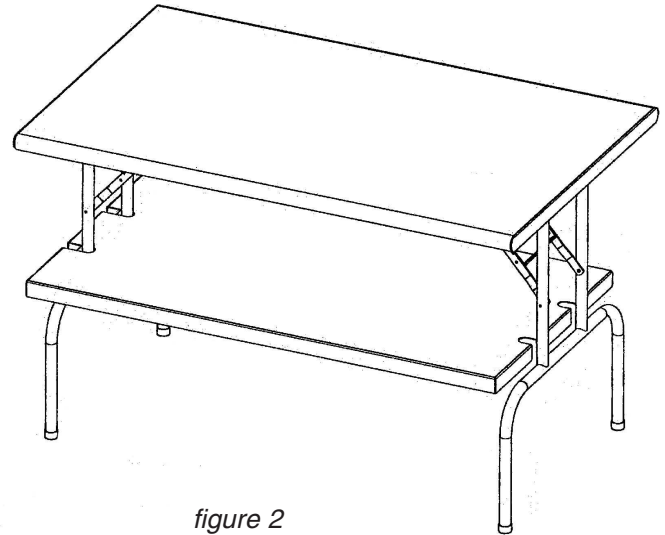
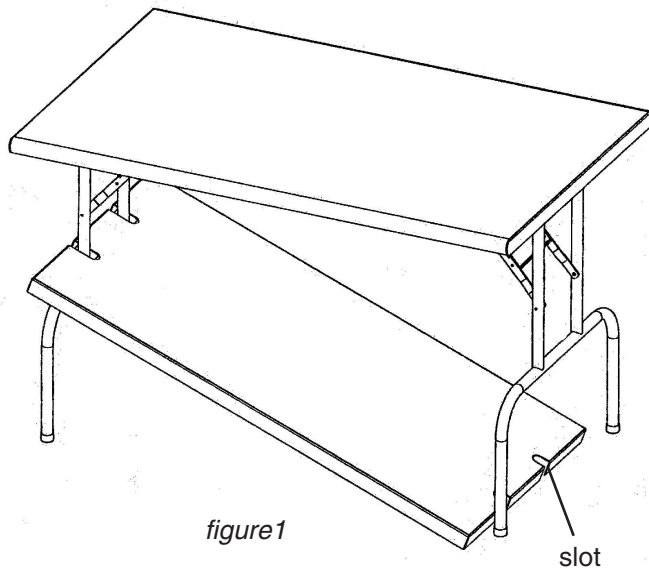


# Lok-n-Fold Table

## ASSEMBLY INSTRUCTIONS

### CAUTION

INSPECT CONTENTS IMMEDIATELY AND FILE CLAIM WITH DELIVERING CARRIER FOR ANY DAMAGE. **SAVE YOUR BOX AND ALL PACKING MATERIALS.** YOU ARE RESPONSIBLE FOR DAMAGE TO YOUR UNIT IF RETURNED IMPROPERLY PACKED.



1

### Legs

Pull legs so that they are fully extended. Push the hinged brace down until it locks in place. This will stabilize the legs and insure that the table will not fold.

2

### Optional Undershelf

Put the undershelf underneath the table, placing it on the lefthand legs and into slots as shown in *figure 1*. Slide the undershelf to the left completely and then raise undershelf up, place on righthand legs, and into slots, as shown in *figure 2*. Move undershelf to the right slightly. Your undershelf is now secure.

### Removal of Optional Undershelf

To remove the undershelf slide completely to the left. Drop the right side down and remove from under the table.



Profit from the Eagle Advantage®

EG10028 Rev 06/04