

ASSEMBLY INSTRUCTIONS

CAUTION

INSPECT CONTENTS IMMEDIATELY AND FILE CLAIM WITH DELIVERING CARRIER FOR ANY DAMAGE.

SAVE YOUR BOX AND ALL PACKING MATERIALS.

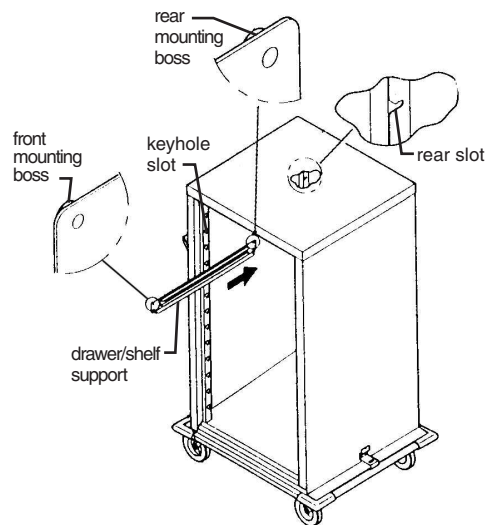
YOU ARE RESPONSIBLE FOR DAMAGE TO YOUR UNIT IF RETURNED IMPROPERLY PACKED.

Before assembly:

Remove all protective plastic covering from the stainless steel parts prior to installation of accessories.

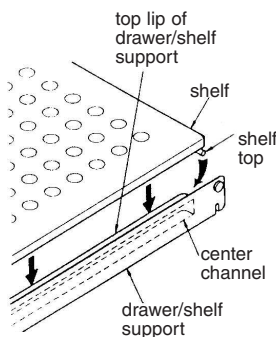
Step 1 - Install drawer/shelf supports.

- Install drawer/shelf supports by engaging rear mounting boss into slot at rear of cart and engage front mounting boss into keyhole slot at front of cart.
- Repeat for all remaining drawer/shelf supports.



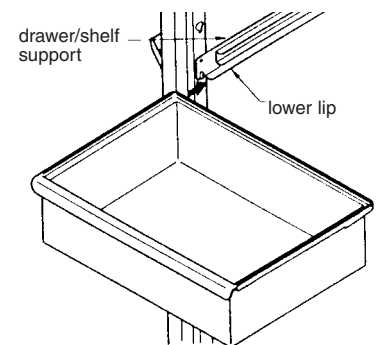
Step 2 - Install shelves.

- Install either wire framed or sheet metal shelf onto top lip of drawer/shelf support and slide shelf toward rear wall of cart.
- Allow shelf stop to drop down and align with center channel of support.
- Repeat for all remaining shelves.



Step 3 - Install drawers.

- Install drawer onto lower lip of drawer/shelf supports, and slide drawer toward rear wall of cart.
- Repeat for any remaining drawers.



Assembly is complete.
See reverse side for information on casters.

EG10018 Revised 04/05



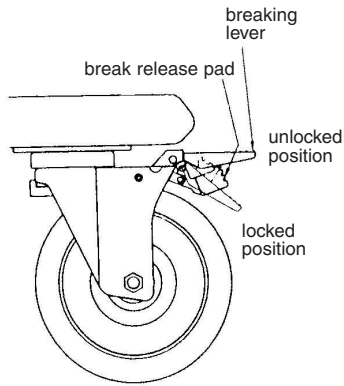
- 100 Industrial Boulevard, Clayton, Delaware 19938-8903 U.S.A. • www.eaglegrp.com
- Phone: 302/653-3000 • (Foodservice) 800/441-8440 • (MHC/Retail) 800/637-5100
- Fax: 302/653-2065 or 302/653-3036

Case Cart

ASSEMBLY INSTRUCTIONS

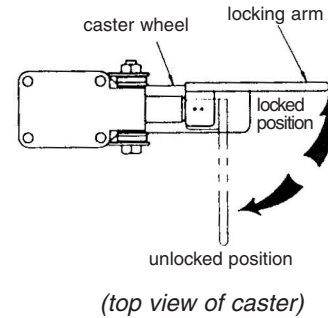
To operate casters with brakes:

Press braking lever down to lock caster. Press brake pad down to unlock caster.



To operate swivel lock casters:

Rotate locking arm clockwise 90° to align caster wheel to lock caster swivel.



Special Caster Information

Note: Chrome and stainless steel casters are equipped with grease seals and lubricating zerks to improve operation and increase life of caster.

Caster Maintenance

- Establish a regular schedule to inspect all cart casters after cart washings and lubricate casters, as needed.
- Caster lubrication may be required after each cart washing.
- Stainless steel casters will require less maintenance in frequent cart washings.

Caster Lubrication

- Lubricate cart casters with special high temperature, water resistant lubricants only.
- Use standard lubrication practices and tools.