



Profit from the Eagle Advantage®

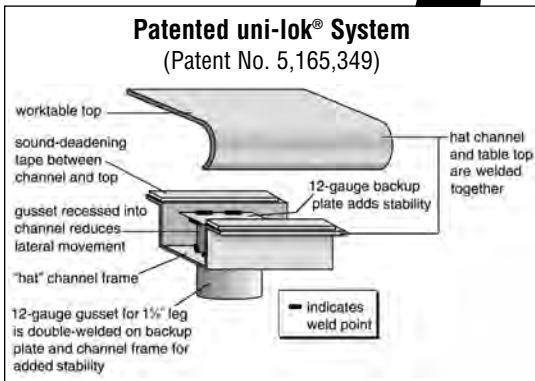
Specification Sheet

Short Form Specifications

Eagle worktables, Deluxe series, model _____.
 Top constructed of 16 gauge 300 series stainless steel with 1½" roll on front, 4½" backplash, and sides turned down 90°. Open front with 1¼" O.D. galvanized tubular crossbracing on sides and rear. Top reinforced with hat channels and sound deadened. Constructed with uni-lok® patented gusset system with the gussets recessed into the hat channels to reduce lateral movement. Legs are 1½" O.D. galvanized tubing, with galvanized gussets and 1" hi-impact plastic bullet feet.



worktable with backplash and tubular base —shown with optional drawer



Item No.: _____
 Project No.: _____
 S.I.S. No.: _____

Worktables with Backsplash and Galvanized Tubular Base —Deluxe Series

MODELS:

- T2424GTBE-BS T24108GTBE-BS T3072GTBE-BS T3660GTBE-BS
- T2430GTBE-BS T24120GTBE-BS T3084GTBE-BS T3672GTBE-BS
- T2436GTBE-BS T24132GTBE-BS T3096GTBE-BS T3684GTBE-BS
- T2448GTBE-BS T24144GTBE-BS T30108GTBE-BS T3696GTBE-BS
- T2460GTBE-BS T3030GTBE-BS T30120GTBE-BS T36108GTBE-BS
- T2472GTBE-BS T3036GTBE-BS T30132GTBE-BS T36120GTBE-BS
- T2484GTBE-BS T3048GTBE-BS T30144GTBE-BS T36132GTBE-BS
- T2496GTBE-BS T3060GTBE-BS T3648GTBE-BS T36144GTBE-BS

Tabletop

- Patented uni-lok® gusset system (patent #5,165,349): gussets are recessed into hat channel, reducing lateral movement.
- Top reinforced with welded-on hat channel.
- Sound-deadened between top and channels.
- 4½" (114mm)-high 90° backplash with 1" (25mm) turn at 90°.
- 1½" (38mm)-diameter 180° rolled edge on front. Ends are turned down 90°, providing for flush installations when required.
- 16 gauge 300 series polished stainless steel.

Crossbracing—1¼" (38mm)-diameter

- Heavy gauge, galvanized.
- Aluminum castings join crossbraces, legs and rear brace.

Legs—1½" (41mm)-diameter

- Tables 96" (2438mm) and longer come with six legs or more.
- Heavy gauge galvanized steel.
- 1" (25mm) adjustable hi-impact plastic feet.

Options / Accessories

- Drawer
- Lock
- Casters
- Stainless steel bullet feet
- Overshelves
- Power strip (for material handling)
- Duplex receptacles
- Pot rack
- Sink
- Stabilizer Bar (for 30"- and 36"-wide tables)

EAGLE GROUP
 100 Industrial Boulevard, Clayton, DE 19938-8903 USA
 Phone: 302-653-3000 • Fax: 302-653-2065
 www.eaglegrp.com

Foodservice Division: Phone 800-441-8440
MHC/Retail Display Divisions: Phone 800-637-5100

For custom configuration or fabrication needs, contact our **SpecFAB® Division**.
 Phone: 302-653-3000 • Fax: 302-653-2065 • e-mail: quotes@eaglegrp.com



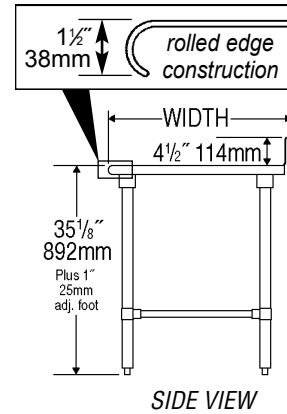
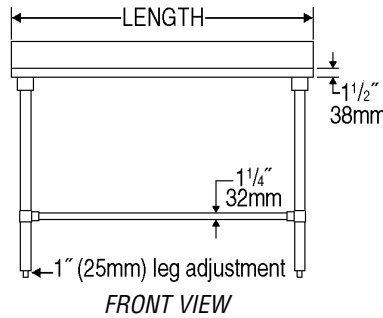
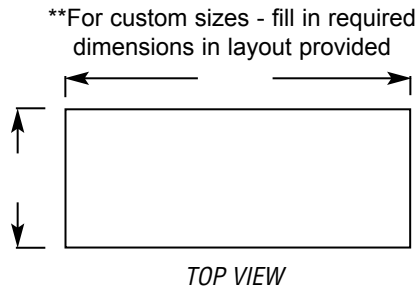
EG10.46B Rev. 10/15

Spec sheets available for viewing, printing or downloading from our online literature library at www.eaglegrp.com



Item No.: _____
 Project No.: _____
 S.I.S. No.: _____

Worktables with Backsplash and Galvanized Tubular Base —Deluxe Series



| model # | # of legs | width | | length | | weight | |
|---------------|-----------|-------|-----|--------|------|--------|------|
| | | in. | mm | in. | mm | lbs. | kg |
| T2424GTEB-BS | 4 | 24" | 610 | 24" | 610 | 41 | 18.6 |
| T2430GTEB-BS | 4 | 24" | 610 | 30" | 762 | 46 | 20.9 |
| T2436GTEB-BS | 4 | 24" | 610 | 36" | 914 | 51 | 23.1 |
| T2448GTEB-BS | 4 | 24" | 610 | 48" | 1219 | 61 | 27.7 |
| T2460GTEB-BS | 4 | 24" | 610 | 60" | 1524 | 71 | 32.2 |
| T2472GTEB-BS | 4 | 24" | 610 | 72" | 1829 | 81 | 36.7 |
| T2484GTEB-BS | 4 | 24" | 610 | 84" | 2134 | 91 | 41.3 |
| T2496GTEB-BS | 6 | 24" | 610 | 96" | 2438 | 101 | 45.8 |
| T24108GTEB-BS | 6 | 24" | 610 | 108" | 2743 | 111 | 50.3 |
| T24120GTEB-BS | 6 | 24" | 610 | 120" | 3048 | 121 | 54.9 |
| T24132GTEB-BS | 8 | 24" | 610 | 132" | 3353 | 131 | 59.4 |
| T24144GTEB-BS | 8 | 24" | 610 | 144" | 3658 | 141 | 64.0 |
| T3030GTEB-BS | 4 | 30" | 762 | 30" | 762 | 51 | 23.1 |
| T3036GTEB-BS | 4 | 30" | 762 | 36" | 914 | 56 | 25.4 |
| T3048GTEB-BS | 4 | 30" | 762 | 48" | 1219 | 66 | 29.9 |
| T3060GTEB-BS | 4 | 30" | 762 | 60" | 1524 | 76 | 34.5 |
| T3072GTEB-BS | 4 | 30" | 762 | 72" | 1829 | 86 | 39.0 |
| T3084GTEB-BS | 4 | 30" | 762 | 84" | 2134 | 96 | 43.6 |
| T3096GTEB-BS | 6 | 30" | 762 | 96" | 2438 | 106 | 48.1 |
| T30108GTEB-BS | 6 | 30" | 762 | 108" | 2743 | 116 | 52.6 |
| T30120GTEB-BS | 6 | 30" | 762 | 120" | 3048 | 126 | 57.2 |
| T30132GTEB-BS | 8 | 30" | 762 | 132" | 3353 | 136 | 61.7 |
| T30144GTEB-BS | 8 | 30" | 762 | 144" | 3658 | 146 | 66.2 |
| T3648GTEB-BS | 4 | 36" | 914 | 48" | 1219 | 71 | 32.2 |
| T3660GTEB-BS | 4 | 36" | 914 | 60" | 1524 | 81 | 36.7 |
| T3672GTEB-BS | 4 | 36" | 914 | 72" | 1829 | 91 | 41.3 |
| T3684GTEB-BS | 4 | 36" | 914 | 84" | 2134 | 101 | 45.8 |
| T3696GTEB-BS | 6 | 36" | 914 | 96" | 2438 | 111 | 50.3 |
| T36108GTEB-BS | 6 | 36" | 914 | 108" | 2743 | 121 | 54.9 |
| T36120GTEB-BS | 6 | 36" | 914 | 120" | 3048 | 131 | 59.4 |
| T36132GTEB-BS | 8 | 36" | 914 | 132" | 3353 | 141 | 64.0 |
| T36144GTEB-BS | 8 | 36" | 914 | 144" | 3658 | 151 | 68.5 |

EAGLE GROUP
 100 Industrial Boulevard, Clayton, DE 19938-8903 USA
 Phone: 302-653-3000 • Fax: 302-653-2065
 www.eaglegrp.com

Foodservice Division: Phone 800-441-8440
 MHC/Retail Display Divisions: Phone 800-637-5100

Printed in U.S.A.
 ©2015 by Eagle Group
 Rev. 10/15

Spec sheets available for viewing, printing or downloading from our online literature library at www.eaglegrp.com

Although every attempt has been made to ensure the accuracy of the information provided, we cannot be held responsible for typographical or printing errors. Information and specifications are subject to change without notice. Please confirm at time of order.