



Profit from the Eagle Advantage®

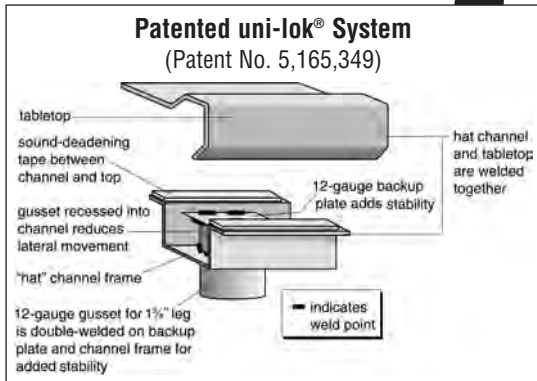
# Specification Sheet

## Short Form Specifications

Eagle worktables, Spec-Master® Marine series, model \_\_\_\_\_ . Top constructed of 14 gauge 300 series stainless steel, with 2 1/16" marine counter style edging on all four sides and 4 1/2" backsplash. Adjustable undershelf constructed of 18 gauge 300 series stainless steel with marine edge. Top reinforced with stainless steel hat channels and sound deadened. Constructed with uni-lok® patented gusset system with the gussets recessed into the hat channels to reduce lateral movement. 1 1/2"-diameter stainless steel legs, with stainless steel gussets and 1" stainless steel adjustable bullet feet.



worktable with backsplash and adjustable undershelf



**EAGLE GROUP**  
100 Industrial Boulevard, Clayton, DE 19938-8903 USA  
Phone: 302-653-3000 • Fax: 302-653-2065  
www.eaglegrp.com

**Foodservice Division: Phone 800-441-8440**  
**MHC/Retail Display Divisions: Phone 800-637-5100**

For custom configuration or fabrication needs, contact our **SpecFAB® Division**.  
Phone: 302-653-3000 • Fax: 302-653-2065 • e-mail: quotes@eaglegrp.com

**Spec sheets available for viewing, printing or downloading from our online literature library at [www.eaglegrp.com](http://www.eaglegrp.com)**

Eagle Foodservice Equipment, Eagle MHC, SpecFAB®, and Retail Display are divisions of Eagle Group. ©2015 by the Eagle Group

Item No.: \_\_\_\_\_  
Project No.: \_\_\_\_\_  
S.I.S. No.: \_\_\_\_\_

## Worktables with Backsplash and Stainless Steel Base with Undershelf —Spec-Master® Marine Series

### MODELS:

- T2424SEM-BS     T24108SEM-BS     T3072SEM-BS     T3660SEM-BS
- T2430SEM-BS     T24120SEM-BS     T3084SEM-BS     T3672SEM-BS
- T2436SEM-BS     T24132SEM-BS     T3096SEM-BS     T3684SEM-BS
- T2448SEM-BS     T24144SEM-BS     T30108SEM-BS     T3696SEM-BS
- T2460SEM-BS     T3030SEM-BS     T30120SEM-BS     T36108SEM-BS
- T2472SEM-BS     T3036SEM-BS     T30132SEM-BS     T36120SEM-BS
- T2484SEM-BS     T3048SEM-BS     T30144SEM-BS     T36132SEM-BS
- T2496SEM-BS     T3060SEM-BS     T3648SEM-BS     T36144SEM-BS

### Tabletop

- Patented uni-lok® gusset system (patent #5,165,349): gussets are recessed into hat channel, reducing lateral movement.
- Top reinforced with welded-on hat channel.
- Sound-deadened between top and channels.
- 4 1/2" (114mm)-high 90° backsplash with 1" (25mm) turn at 90°.
- Marine counter edge on front and ends.
- 14 gauge 300 series polished stainless steel.

### Adjustable Undershelf

- Heavy gauge stainless steel.
- Gusset welded to each corner.
- Heavy duty marine edge design.

### Legs—1 1/2" (41mm)-diameter

- Tables 96" (2438mm) and longer come with six legs or more.
- Heavy gauge stainless steel.
- 1" (25mm) adjustable stainless steel feet.

### Options / Accessories

- Drawer
- Lock
- Casters
- Stainless steel bullet feet
- Overshelves
- Power strip (for material handling)
- Duplex receptacles
- Pot rack
- Sink
- Additional undershelf
- Stabilizer Bar (for 30"- and 36"-wide tables)

### Certifications / Approvals



### AUTOQUOTES



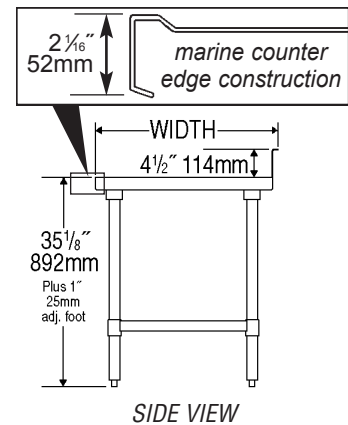
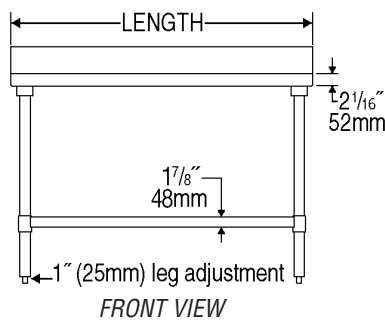
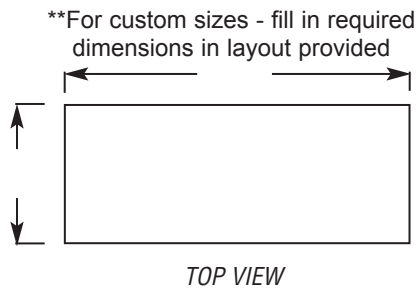
EG10.45D Rev. 10/15



Profit from the Eagle Advantage®

Item No.: \_\_\_\_\_  
 Project No.: \_\_\_\_\_  
 S.I.S. No.: \_\_\_\_\_

# Worktables with Backsplash and Stainless Steel Base with Undershelf—Spec-Master® Marine Series



model #	# of legs	width		length		weight	
		in.	mm	in.	mm	lbs.	kg
T2424SEM-BS	4	24"	610	24"	610	47	21.3
T2430SEM-BS	4	24"	610	30"	762	53	24.0
T2436SEM-BS	4	24"	610	36"	914	58	26.3
T2448SEM-BS	4	24"	610	48"	1219	69	31.3
T2460SEM-BS	4	24"	610	60"	1524	80	36.3
T2472SEM-BS	4	24"	610	72"	1829	94	42.6
T2484SEM-BS	4	24"	610	84"	2134	107	48.5
T2496SEM-BS	6	24"	610	96"	2438	125	56.7
T24108SEM-BS	6	24"	610	108"	2743	156	70.3
T24120SEM-BS	6	24"	610	120"	3048	169	76.7
T24132SEM-BS	8	24"	610	132"	3353	183	83.0
T24144SEM-BS	8	24"	610	144"	3658	196	88.9
T3030SEM-BS	4	30"	762	30"	762	55	24.9
T3036SEM-BS	4	30"	762	36"	914	58	26.3
T3048SEM-BS	4	30"	762	48"	1219	77	34.9
T3060SEM-BS	4	30"	762	60"	1524	89	40.4
T3072SEM-BS	4	30"	762	72"	1829	103	46.3
T3084SEM-BS	4	30"	762	84"	2134	119	54.0
T3096SEM-BS	6	30"	762	96"	2438	143	64.9
T30108SEM-BS	6	30"	762	108"	2743	165	74.4
T30120SEM-BS	6	30"	762	120"	3048	187	84.8
T30132SEM-BS	8	30"	762	132"	3353	207	93.9
T30144SEM-BS	8	30"	762	144"	3658	228	103.4
T3648SEM-BS	4	36"	914	48"	1219	85	38.6
T3660SEM-BS	4	36"	914	60"	1524	99	44.9
T3672SEM-BS	4	36"	914	72"	1829	117	53.1
T3684SEM-BS	4	36"	914	84"	2134	135	61.2
T3696SEM-BS	6	36"	914	96"	2438	145	65.8
T36108SEM-BS	6	36"	914	108"	2743	186	84.4
T36120SEM-BS	6	36"	914	120"	3048	211	95.7
T36132SEM-BS	8	36"	914	132"	3353	238	108.0
T36144SEM-BS	8	36"	914	144"	3658	263	119.3

**EAGLE GROUP**  
 100 Industrial Boulevard, Clayton, DE 19938-8903 USA  
 Phone: 302-653-3000 • Fax: 302-653-2065  
 www.eaglegrp.com

Foodservice Division: Phone 800-441-8440  
 MHC/Retail Display Divisions: Phone 800-637-5100

Spec sheets available for viewing, printing or downloading from our online literature library at [www.eaglegrp.com](http://www.eaglegrp.com)

Although every attempt has been made to ensure the accuracy of the information provided, we cannot be held responsible for typographical or printing errors. Information and specifications are subject to change without notice. Please confirm at time of order.

Printed in U.S.A.  
 ©2015 by Eagle Group  
 Rev. 10/15