



Profit from the Eagle Advantage®

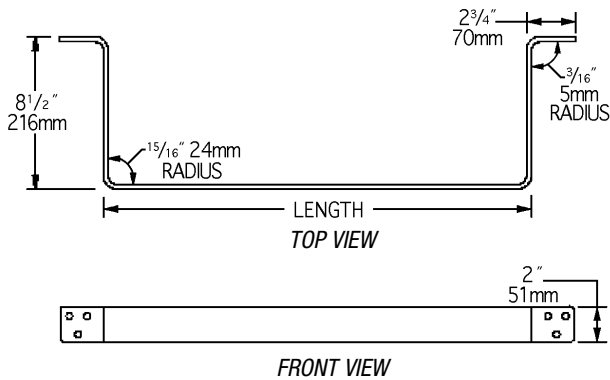
Specification Sheet

Short Form Specifications

Eagle Single Bar Pot Racks, model _____.
 One-piece flat 3/16" (5mm)-thick solid bar. 2" (51mm) wide.
 Available in stainless steel or aluminum. Includes one double-prong hook per linear foot.



24" (610mm) rack with additional hook



Item No.: _____
 Project No.: _____
 S.I.S. No.: _____

Single Bar Pot Racks

MODELS:

- SBPR-24-A SBPR-96-A SBPR-60-S
- SBPR-36-A SBPR-108-A SBPR-72-S
- SBPR-48-A SBPR-120-A SBPR-84-S
- SBPR-60-A SBPR-24-S SBPR-96-S
- SBPR-72-A SBPR-36-S SBPR-108-S
- SBPR-84-A SBPR-48-S SBPR-120-S

- Mounts directly to wall*.
- One-piece flat 3/16" (5mm)-thick solid bar.
- 2" (51mm) wide.
- Stainless steel racks polished to a satin finish.
- Furnished with one double-prong stainless steel hook per linear foot.
- 24" (610mm) racks are one-piece. All others come with support brackets.

* Hardware for mounting to wall sold separately.

Options / Accessories

- Additional hooks (#300696)

length in. mm	ALUMINUM		STAINLESS STEEL	
	weight lbs.	kg	weight lbs.	kg
24" 610	5	2.3	9	4.1
36" 915	6	2.7	12	5.4
48" 1219	7	3.2	15	6.8
60" 1524	9	4.1	18	8.2
72" 1829	11	5.0	21	9.5
84" 2134	13	5.9	25	11.3
96" 2438	15	6.8	29	13.2
108" 2743	17	7.7	34	15.4
120" 3048	20	9.0	39	17.6

EAGLE GROUP
 100 Industrial Boulevard, Clayton, DE 19938-8903 USA
 Phone: 302-653-3000 • 800-441-8440 • Fax: 302-653-2065
www.eaglegrp.com
www.eaglemh.com

For custom configuration or fabrication needs, contact our **SpecFAB® Division**.
 Phone: 302-653-3000 • Fax: 302-653-2065 • e-mail: quotes@eaglegrp.com



EG10.06 Rev. 10/23

Spec sheets available for viewing, printing or downloading from our online literature library at our websites