



Profit from the Eagle Advantage®

# Specification Sheet

## Short Form Specifications

Eagle Stationary Wire Wall Mount, model \_\_\_\_\_.  
Designed for fixed application. Chrome, Valu-Gard®, and stainless steel finish available. End unit to consist of one single shelf support and wall mounting plate. Mid Unit to consist of one double shelf support and wall mounting plate.

|              |       |
|--------------|-------|
| Item No.:    | _____ |
| Project No.: | _____ |
| S.I.S. No.:  | _____ |

## Stationary Wire Wall Mounts

### MODELS:

- |                                       |  |
|---------------------------------------|--|
| <input type="checkbox"/> <b>WB14*</b> | <input type="checkbox"/> <b>DWB14*</b> |
| <input type="checkbox"/> <b>WB18*</b> | <input type="checkbox"/> <b>DWB18*</b> |
| <input type="checkbox"/> <b>WB21*</b> | <input type="checkbox"/> <b>DWB21*</b> |
| <input type="checkbox"/> <b>WB24*</b> | <input type="checkbox"/> <b>DWB24*</b> |

\* See charts on back page for complete model numbers.



stationary wall mounts (two end units)  
shown with optional wire shelf\*\*

\*\*See catalog sheet #EG01.00 for Eagle wire shelves available.

### Design and Construction Features

- Designed for fixed applications where vertical adjustment is not required.
- End unit\*\*\* consists of one single shelf support and 14 gauge stainless steel mounting plate.
- Mid unit\*\*\* consists of one double support and 14 gauge stainless steel mounting plate.
- Units available in chrome, Valu-Gard® green epoxy, or stainless steel finish.
- Optional Eagle wire shelves\*\* (sold separately) feature patented QuadTruss® design (patent #5,390,803), making shelves up to 25% stronger and provides a retaining ledge for increased stability and product retention.

\*\*\* Units do not include shelves and wall bolts. Wall bolts must be selected according to wall type.

**EAGLE GROUP**  
100 Industrial Boulevard, Clayton, DE 19938-8903 USA  
Phone: 302-653-3000 • Fax: 302-653-2065  
www.eaglegrp.com

**Foodservice Division: Phone 800-441-8440**  
**MHC/Retail Display Divisions: Phone 800-637-5100**

For custom configuration or fabrication needs, contact our **SpecFAB® Division**.  
Phone: 302-653-3000 • Fax: 302-653-3091 • e-mail: specfab@eaglegrp.com



EG02.12 Rev. 07/09

**Spec sheets available for viewing, printing or downloading from our online literature library at [www.eaglegrp.com](http://www.eaglegrp.com)**

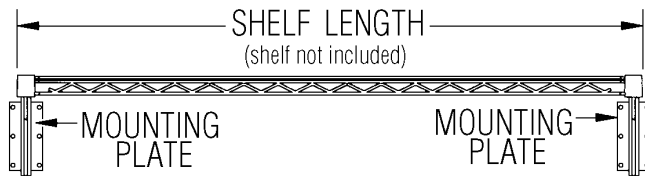
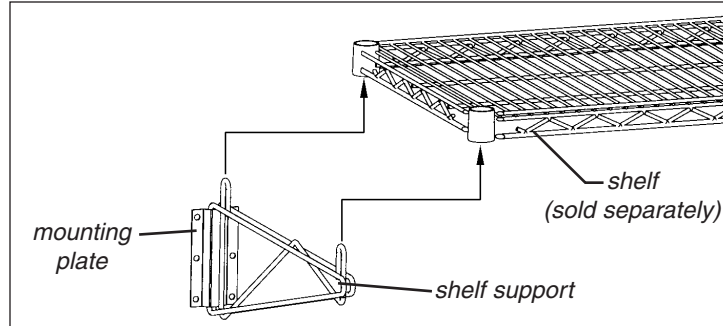
Eagle Foodservice Equipment, Eagle MHC, SpecFAB®, and Retail Display are divisions of Eagle Group. ©2009 by the Eagle Group



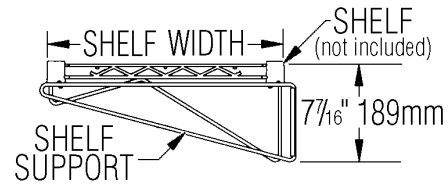
Profit from the Eagle Advantage®

Item No.: \_\_\_\_\_  
 Project No.: \_\_\_\_\_  
 S.I.S. No.: \_\_\_\_\_

# Stationary Wire Wall Mounts



FRONT VIEW



SIDE VIEW

| End Units                |                    |                          |                 | Mid Units                |                    |                          |                 |     | for shelf width |  |
|--------------------------|--------------------|--------------------------|-----------------|--------------------------|--------------------|--------------------------|-----------------|-----|-----------------|--|
| Shelves sold separately. |                    |                          |                 | Shelves sold separately. |                    |                          |                 |     |                 |  |
| chrome model #           | Valu-Gard® model # | stainless steel* model # | weight* lbs. kg | chrome model #           | Valu-Gard® model # | stainless steel* model # | weight* lbs. kg |     |                 |  |
| WB14-C                   | WB14-VG            | WB14-S                   | 6 2.7           | DWB14-C                  | DWB14-VG           | DWB14-S                  | 8 3.6           | 14" | 356             |  |
| WB18-C                   | WB18-VG            | WB18-S                   | 8 3.6           | DWB18-C                  | DWB18-VG           | DWB18-S                  | 10 4.5          | 18" | 457             |  |
| WB21-C                   | WB21-VG            | WB21-S                   | 10 4.5          | DWB21-C                  | DWB21-VG           | DWB21-S                  | 12 5.5          | 21" | 533             |  |
| WB24-C                   | WB24-VG            | WB24-S                   | 12 5.5          | DWB24-C                  | DWB24-VG           | DWB24-S                  | 14 6.4          | 24" | 610             |  |

\* For stainless steel units, add 1 lb. (0.5 kg) weight.

**EAGLE GROUP**  
 100 Industrial Boulevard, Clayton, DE 19938-8903 USA  
 Phone: 302-653-3000 • Fax: 302-653-2065  
 www.eaglegrp.com

Foodservice Division: Phone 800-441-8440  
 MHC/Retail Display Divisions: Phone 800-637-5100

Printed in U.S.A.  
 ©2009 by Eagle Group  
 Rev. 07/09

Spec sheets available for viewing, printing or downloading from our online literature library at [www.eaglegrp.com](http://www.eaglegrp.com)

Although every attempt has been made to ensure the accuracy of the information provided, we cannot be held responsible for typographical or printing errors. Information and specifications are subject to change without notice. Please confirm at time of order.