



Profit from the Eagle Advantage®

Specification Sheet

Short Form Specifications

Eagle Wall Cabinet, model _____. Constructed of 18 gauge type 304 stainless steel, with stainless steel fixed center shelf and top sloped for cleaning. Back is recessed, with concealed mounting plate for installation. Available with open front, with sliding doors, or with hinged doors. Doors are double-panel stainless steel, and removable for cleaning.



cabinet with open front



cabinet with hinged doors



cabinet with sliding doors

Options / Accessories

- Additional center shelves
- Door lock (suffix -L) for cabinets with hinged or sliding doors

EAGLE GROUP

100 Industrial Boulevard, Clayton, DE 19938-8903 USA

Phone: 302-653-3000 • Fax: 302-653-2065

www.eaglegrp.com

Foodservice Division: Phone 800-441-8440

MHC/Retail Display Divisions: Phone 800-637-5100

For custom configuration or fabrication needs, contact our SpecFAB® Division.

Phone: 302-653-3000 • Fax: 302-653-3091 • e-mail: specfab@eaglegrp.com

Item No.:	_____
Project No.:	_____
S.I.S. No.:	_____

Wall Cabinets

MODELS:

- | | | |
|---------------------------------|---------------------------------|----------------------------------|
| <input type="checkbox"/> WCO-24 | <input type="checkbox"/> WCH-24 | <input type="checkbox"/> WCS-24 |
| <input type="checkbox"/> WCO-30 | <input type="checkbox"/> WCH-30 | <input type="checkbox"/> WCS-30 |
| <input type="checkbox"/> WCO-36 | <input type="checkbox"/> WCH-36 | <input type="checkbox"/> WCS-36 |
| <input type="checkbox"/> WCO-48 | <input type="checkbox"/> WCH-42 | <input type="checkbox"/> WCS-42 |
| <input type="checkbox"/> WCO-60 | <input type="checkbox"/> WCH-48 | <input type="checkbox"/> WCS-48 |
| <input type="checkbox"/> WCO-72 | <input type="checkbox"/> WCH-54 | <input type="checkbox"/> WCS-54 |
| <input type="checkbox"/> WCO-84 | <input type="checkbox"/> WCH-60 | <input type="checkbox"/> WCS-60 |
| <input type="checkbox"/> WCO-96 | <input type="checkbox"/> WCH-66 | <input type="checkbox"/> WCS-72 |
| | <input type="checkbox"/> WCH-72 | <input type="checkbox"/> WCS-84 |
| | <input type="checkbox"/> WCH-84 | <input type="checkbox"/> WCS-90 |
| | <input type="checkbox"/> WCH-90 | <input type="checkbox"/> WCS-96 |
| | <input type="checkbox"/> WCH-96 | <input type="checkbox"/> WCS-120 |

Design and Construction Features

- All type 304 stainless steel construction.
- Top is sloped forward to help reduce dust build-up.
- Stationary center shelf features safety edges. Additional shelves can be specified and are factory installed.
- Ends, back and bottom are folded and spot-welded together. All feature safety edges.
- Back is recessed, with full-length concealed mounting plate for easy installation.
- Cabinets are available with open front, hinged doors or sliding doors.
- All doors are double-panel and removable for easy cleaning.

Certifications / Approvals



AUTOQUOTES



EG02.07 Rev. 08/12

Spec sheets available for viewing, printing or downloading from our online literature library at www.eaglegrp.com

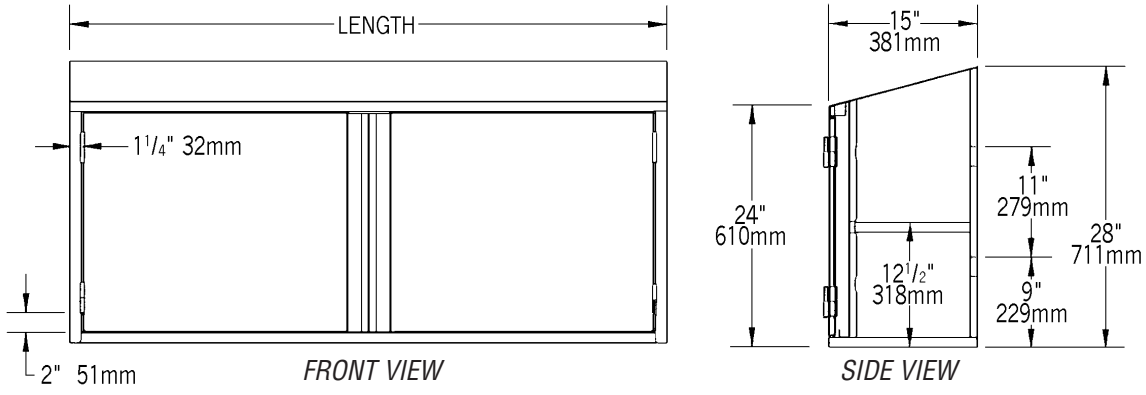
Eagle Foodservice Equipment, Eagle MHC, SpecFAB®, and Retail Display are divisions of Eagle Group. ©2012 by the Eagle Group



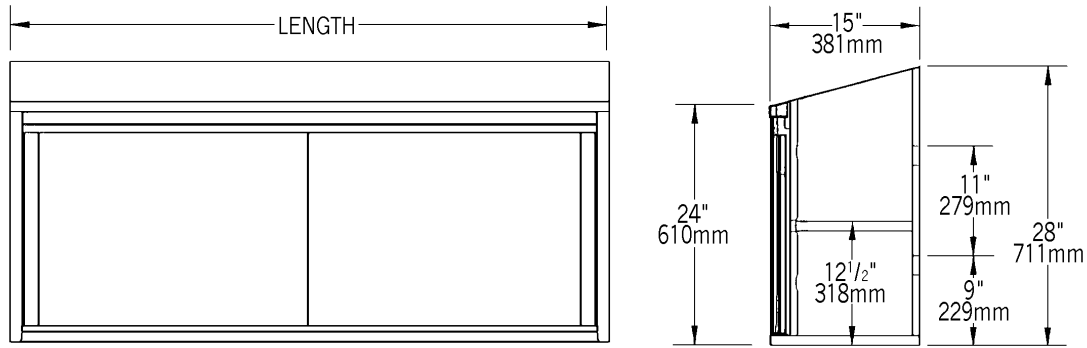
Profit from the Eagle Advantage®

Item No.: _____
 Project No.: _____
 S.I.S. No.: _____

Wall Cabinets



(cabinet with hinged doors shown)



(cabinet with sliding doors shown)

...WITH OPEN FRONT	...WITH HINGED * DOORS	...WITH SLIDING * DOORS	weight		width		length	
			lbs.	kg	in.	mm	in.	mm
WCO-24	WCH-24	WCS-24	95	43.1	15"	381	24"	610
WCO-30	WCH-30	WCS-30	115	52.2	15"	381	30"	762
WCO-36	WCH-36	WCS-36	125	56.7	15"	381	36"	914
-	WCH-42	WCS-42	145	65.8	15"	381	42"	1067
WCO-48	WCH-48	WCS-48	165	74.8	15"	381	48"	1219
-	WCH-54	WCS-54	180	81.6	15"	381	54"	1372
WCO-60	WCH-60	WCS-60	195	88.5	15"	381	60"	1524
-	WCH-66	-	210	95.3	15"	381	66"	1676
WCO-72	WCH-72	WCS-72	225	102.0	15"	381	72"	1829
WCO-84	WCH-84	WCS-84	255	115.7	15"	381	84"	2134
-	WCH-90	WCS-90	267	121.1	15"	381	90"	2286
WCO-96	WCH-96	WCS-96	280	127.0	15"	381	96"	2438
-	-	WCS-120	360	163.3	15"	381	120"	3048

Optional door lock available for cabinets with doors. To order, add suffix -L (example: WCS-36-L)

EAGLE GROUP
 100 Industrial Boulevard, Clayton, DE 19938-8903 USA
 Phone: 302-653-3000 • Fax: 302-653-2065
 www.eaglegrp.com

Foodservice Division: Phone 800-441-8440
 MHC/Retail Display Divisions: Phone 800-637-5100

Printed in U.S.A.
 ©2012 by Eagle Group

Rev. 08/12

Spec sheets available for viewing, printing or downloading from our online literature library at www.eaglegrp.com

Although every attempt has been made to ensure the accuracy of the information provided, we cannot be held responsible for typographical or printing errors. Information and specifications are subject to change without notice. Please confirm at time of order.