



Profit from the Eagle Advantage®

Specification Sheet

Item No.:	_____
Project No.:	_____
S.I.S. No.:	_____

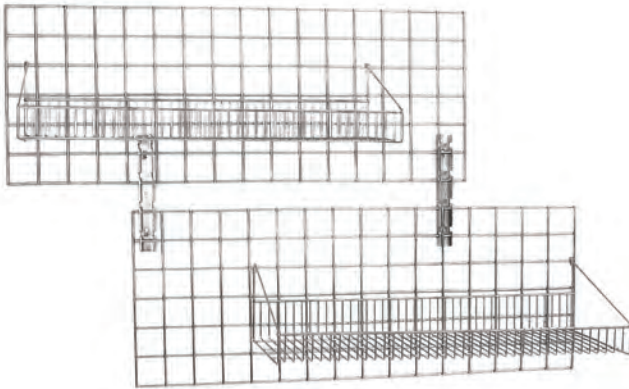
Catalog Specification Sheet No. **EG02.00C**

Wall Grid Shelving for Walstor® Modular Wall System

MODELS:

- | | | |
|------------------------------------|-------------------------------------|------------------------------------|
| <input type="checkbox"/> 1430WGS-C | <input type="checkbox"/> 1430WGS-VG | <input type="checkbox"/> 1430WGS-Z |
| <input type="checkbox"/> 1436WGS-C | <input type="checkbox"/> 1436WGS-VG | <input type="checkbox"/> 1436WGS-Z |
| <input type="checkbox"/> 1830WGS-C | <input type="checkbox"/> 1830WGS-VG | <input type="checkbox"/> 1830WGS-Z |
| <input type="checkbox"/> 1836WGS-C | <input type="checkbox"/> 1836WGS-VG | <input type="checkbox"/> 1836WGS-Z |
| <input type="checkbox"/> 1848WGS-C | <input type="checkbox"/> 1848WGS-VG | <input type="checkbox"/> 1848WGS-Z |

See spec sheet #EG02.00A for Wall Modular Wall System.
See spec sheet #EG02.00B for Walstor® accessories.



Wall grid shelves shown attached to Walstor® wall mats

Design and Construction Features

- Provides convenient wire shelving that hooks anywhere onto wall mat of Walstor® Wall System, without fasteners.
- Features built-in 2¾" (70mm)-high front ledge and 3¾" (98mm)-high rear upturn.
- Shelf and brackets welded into one piece.
- Comes in widths of 14" or 18" (356 or 457mm), and lengths of 30", 36", or 48" (762, 914, or 1219mm).
- Offered with chrome, Valu-Gard® green epoxy, or EAGLEbrite® zinc finish.

Wall Grid Shelving for Walstor® Modular Wall System

EAGLE GROUP
100 Industrial Boulevard, Clayton, DE 19938-8903 USA
Phone: 302-653-3000 • Fax: 302-653-2065
www.eaglegrp.com

Foodservice Division: Phone 800-441-8440
MHC/Retail Display Divisions: Phone 800-637-5100

For custom configuration or fabrication needs, contact our **SpecFAB® Division**.
Phone: 302-653-3000 • Fax: 302-653-3091 • e-mail: specfab@eaglegrp.com



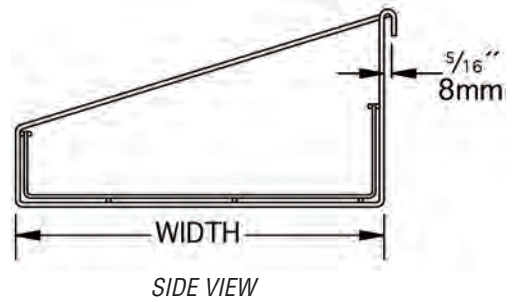
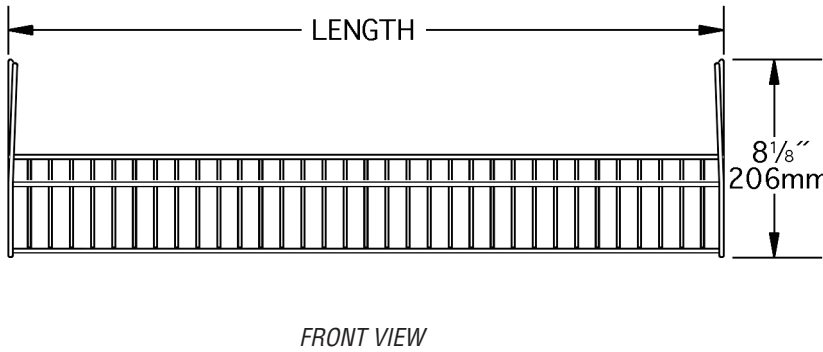
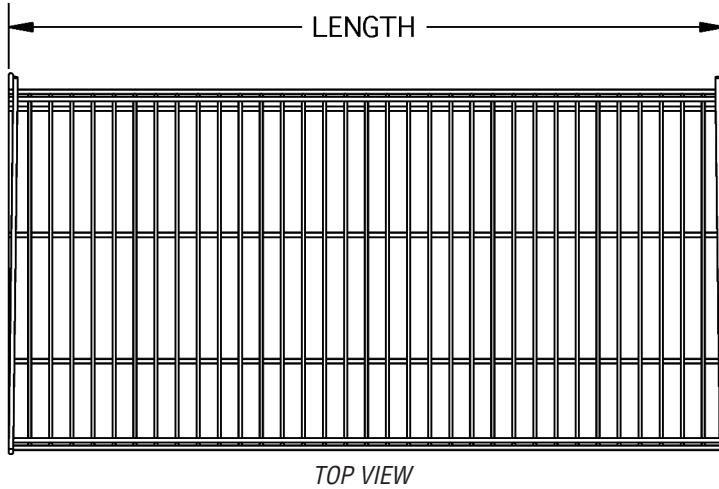
EG02.00C Rev. 05/10

Spec sheets available for viewing, printing or downloading from our online literature library at www.eaglegrp.com



Item No.: _____
 Project No.: _____
 S.I.S. No.: _____

Wall Grid Shelving for Walstor® Modular Wall System



CHROME model #	VALU-GARD® model #	EAGLEBRITE® model #	width		length		weight	
			in.	mm	in.	mm	lbs.	kg
1430WGS-C	1430WGS-VG	1430WGS-Z	14"	356	30"	762	7	3.2
1436WGS-C	1436WGS-VG	1436WGS-Z	14"	356	36"	914	9	4.1
1830WGS-C	1830WGS-VG	1830WGS-Z	18"	457	30"	762	9	4.1
1836WGS-C	1836WGS-VG	1836WGS-Z	18"	457	36"	914	12	5.4
1848WGS-C	1848WGS-VG	1848WGS-Z	18"	457	48"	1219	15	6.8

EAGLE GROUP
 100 Industrial Boulevard, Clayton, DE 19938-8903 USA
 Phone: 302-653-3000 • Fax: 302-653-2065
 www.eaglegrp.com

Foodservice Division: Phone 800-441-8440
 MHC/Retail Display Divisions: Phone 800-637-5100

Printed in U.S.A.
 ©2010 by Eagle Group
 Rev. 05/10

Spec sheets available for viewing, printing or downloading from our online literature library at www.eaglegrp.com

Although every attempt has been made to ensure the accuracy of the information provided, we cannot be held responsible for typographical or printing errors. Information and specifications are subject to change without notice. Please confirm at time of order.