

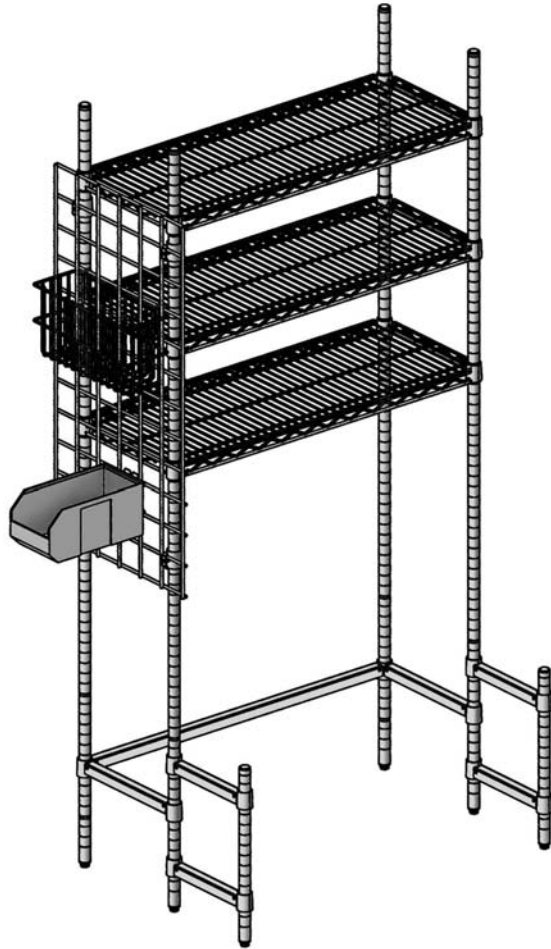


Profit from the Eagle Advantage®

Specification Sheet

Short Form Specifications

Eagle Sandwich Prep Station, model TSSP1436Z, to consist of three 1436Z EAGLEbrite® zinc-plated shelves with 74" EAGLEbrite® zinc-plated posts, three-sided channel support frame, and 18" x 36" wall grid. Note: Unit can accommodate refrigerators up to 32¾" in length.



sandwich prep station

Item No.:	_____
Project No.:	_____
S.I.S. No.:	_____

Sandwich Prep Station

MODELS:

TSSP1436Z

- Flexible design allows for custom look using standard components.
- Keeps task-related items together.
- Three 14" x 36" (356 x 914mm) wire shelves for overhead storage. Shelf height can be adjusted.
- 14" x 36" (356 x 914mm) three-sided channel frame.
- Two 18" (457mm)-high front posts.
- All posts are numbered and grooved at 1" (25mm) increments for fast and level assembly.
- Wire basket: 13¾"L x 5"W x 7"D (340 x 127 x 178mm).
- Plastic bin: 10¾"L x 5½"W x 4"D (276 x 140 x 76mm).
- 18" x 36" (457 x 914mm) wire grid panel accommodates basket, bin holder and other hanging accessories.
- 74" (1880mm) overall post height.
- All metal components are zinc-plated.

EAGLE GROUP

100 Industrial Boulevard, Clayton, DE 19938-8903 USA

Phone: 302-653-3000 • Fax: 302-653-2065

www.eaglegrp.com

Foodservice Division: Phone 800-441-8440

MHC/Retail Display Divisions: Phone 800-637-5100

For custom configuration or fabrication needs, contact our SpecFAB® Division.

Phone: 302-653-3000 • Fax: 302-653-3091 • e-mail: specfab@eaglegrp.com



EG01.50 Rev. 09/09

Spec sheets available for viewing, printing or downloading from our online literature library at www.eaglegrp.com

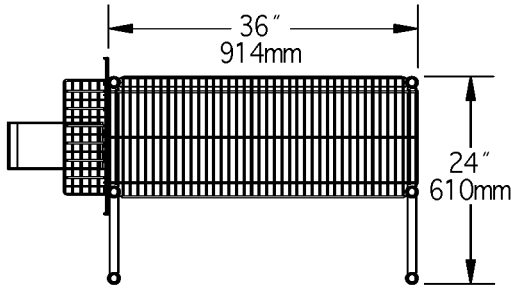
Eagle Foodservice Equipment, Eagle MHC, SpecFAB®, and Retail Display are divisions of Eagle Group. ©2009 by the Eagle Group



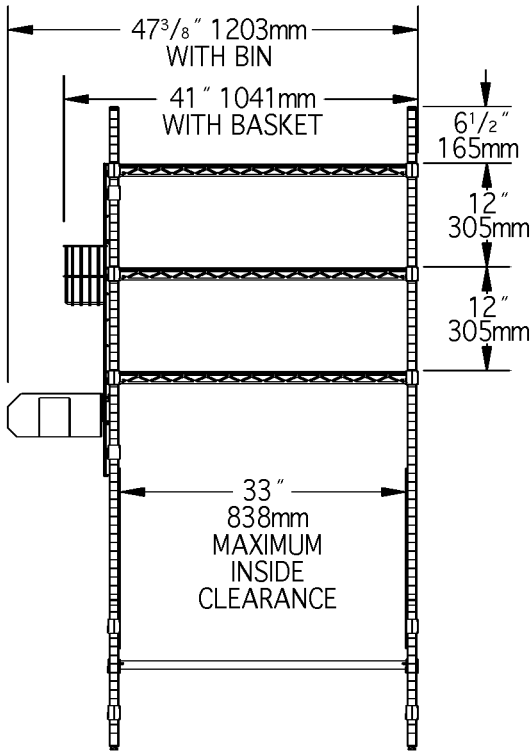
Profit from the Eagle Advantage®

Item No.: _____
 Project No.: _____
 S.I.S. No.: _____

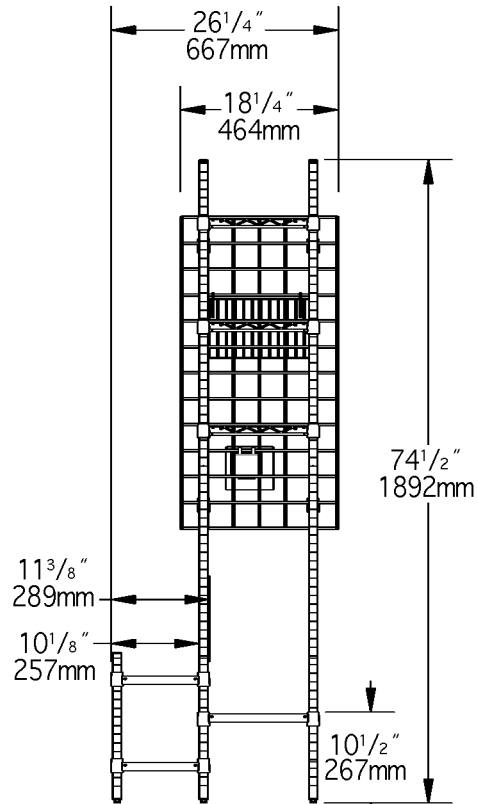
Sandwich Prep Station



TOP VIEW



FRONT VIEW



SIDE VIEW

model #	width*		length*		height		weight	
	in.	mm	in.	mm	in.	mm	lbs.	kg
TSSP1436Z	24"	610	36"	914	74"	1880	50	22.7

* Excludes wire grid panel, wire basket and plastic bin.

EAGLE GROUP
 100 Industrial Boulevard, Clayton, DE 19938-8903 USA
 Phone: 302-653-3000 • Fax: 302-653-2065
 www.eaglegrp.com

Foodservice Division: Phone 800-441-8440
 MHC/Retail Display Divisions: Phone 800-637-5100

Printed in U.S.A.
 ©2009 by Eagle Group
 Rev. 09/09

Spec sheets available for viewing, printing or downloading from our online literature library at www.eaglegrp.com

Although every attempt has been made to ensure the accuracy of the information provided, we cannot be held responsible for typographical or printing errors. Information and specifications are subject to change without notice. Please confirm at time of order.