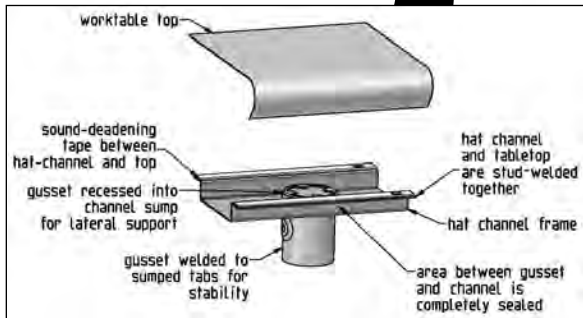


Item No.: _____
 Project No.: _____
 S.I.S. No.: _____

Specification Sheet

Short Form Specifications

BlendPort™ SL Series Worktables with Flat Top, model _____, 18 gauge type 430 stainless steel construction. Top features rolled rim on front and rear, with square bend on ends. 1½"-diameter stainless steel legs. 18 gauge stainless steel undershelf. Adjustable stainless steel bullet feet.



BlendPort™ SL Series All-Stainless Steel Worktables with Flat Top

- 18 gauge type 430 stainless steel construction.
- Top features hemmed rolled rim edge on front and rear, with square bend on sides, and is sound-deadened.
- Top reinforced with welded-on hat channels, which allow for mounting optional drawers.
- 1½"-diameter stainless steel legs.
- Stainless steel gussets.
- Adjustable stainless steel bullet feet.
- 18 gauge stainless steel undershelf.

width x length	weight	model #
24" x 24"	42 lbs.	BPT-2424SL
24" x 30"	45 lbs.	BPT-2430SL
24" x 36"	50 lbs.	BPT-2436SL
24" x 48"	61 lbs.	BPT-2448SL
24" x 60"	71 lbs.	BPT-2460SL
24" x 72"	82 lbs.	BPT-2472SL
24" x 96"	114 lbs.	BPT-2496SL
30" x 24"	48 lbs.	BPT-3024SL
30" x 30"	49 lbs.	BPT-3030SL
30" x 36"	52 lbs.	BPT-3036SL
30" x 48"	68 lbs.	BPT-3048SL
30" x 60"	79 lbs.	BPT-3060SL
30" x 72"	92 lbs.	BPT-3072SL
30" x 96"	126 lbs.	BPT-3096SL

Optional Drawers for SL Series Worktables

16" x 20".
 Fully enclosed.
 Features roller slides.

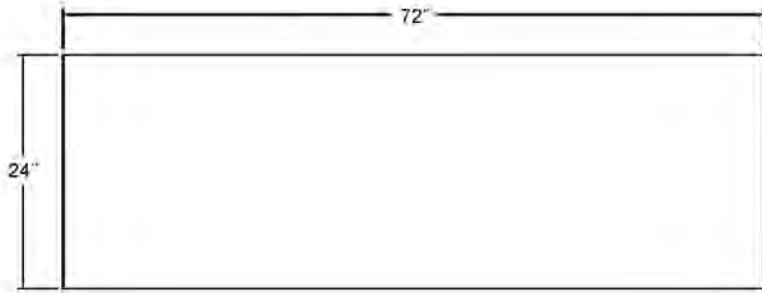


description	model #
For 24"-wide tables	BPD-1620-24T
For 30"-wide tables	BPD-1620-30T

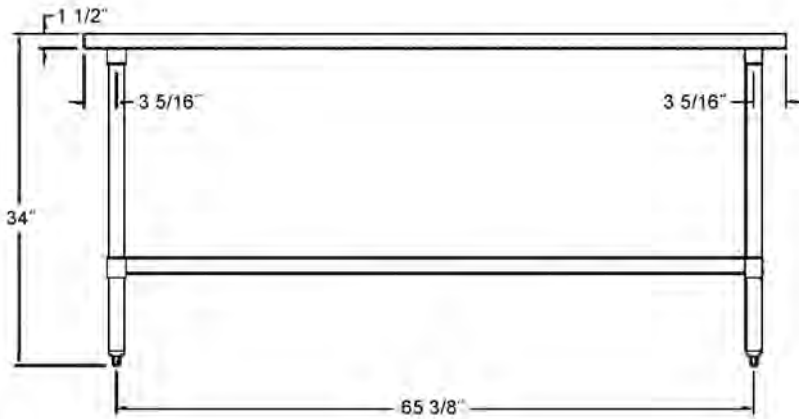


Item No.:	_____
Project No.:	_____
S.I.S. No.:	_____

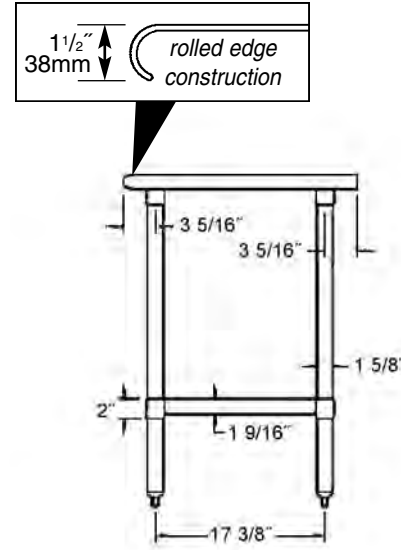
BlendPort™ SL Series All-Stainless Steel Worktables with Flat Top



TOP VIEW



FRONT VIEW



SIDE VIEW

(Note: #BPT-2472SL shown)